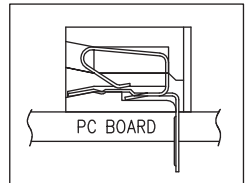
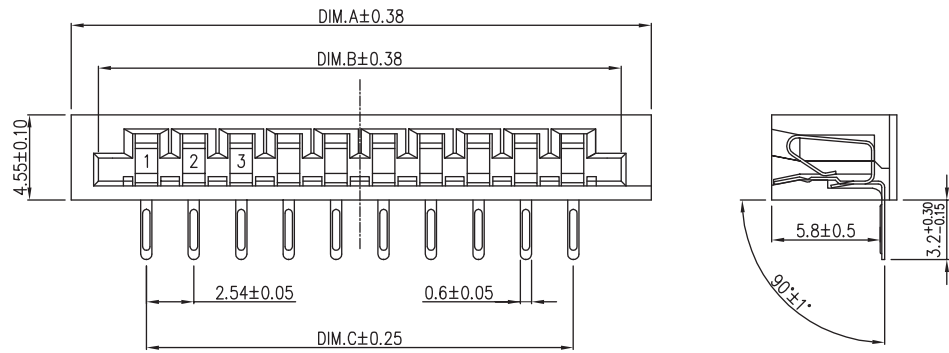


REV	DESCRIPTION	DATE
A	Initial Release	20.10.22

Rohs Compliant

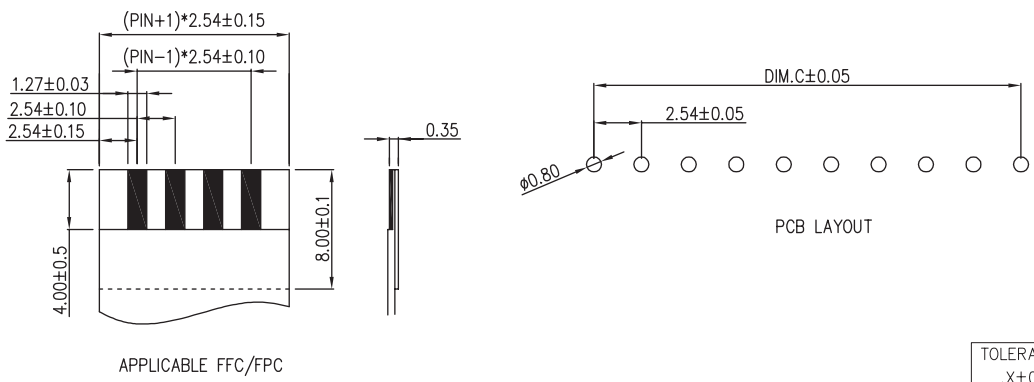
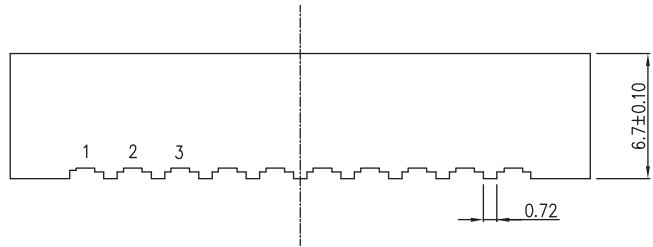


- SPEC :
- Housing: High-Temp Plastic, UL94-V
Color: Black
 - Locker: High-Temp Plastic, UL94-V
Color: Black
 - Contact: Phosphor Bronze
Initial: 30m Ohms Max.
Voltage Rating: 50V AC, DC
 - Solder Tab: BRASS
 - Temperature Rating: -55°C ~ +85°C
 - Dielectric Withstanding Voltage: 500V AC/Min

PIN	DIM. A	DIM. B	DIM. C
2	10.74	8.43	2.54
3	13.28	10.97	5.08
4	15.82	13.51	7.62
5	18.36	16.05	10.16
6	20.9	18.59	12.7
7	23.44	21.13	15.24
8	25.98	23.67	17.78
9	28.52	26.21	20.32
10	31.06	28.75	22.86
11	33.6	31.29	25.4
12	36.14	33.83	27.94
13	38.68	36.37	30.48
14	41.22	38.91	33.02
15	43.76	41.45	35.56
16	46.3	43.99	38.1
17	48.84	46.53	40.64
18	51.38	49.07	43.18

Ordering Information

FP-xxA01RKN-T
 Number of Contact: 02...28
 Contact Plating:
 T : Tin
 F : Selective Gold
 G : Fully Gold Flash



	PANSTRONG COMPANY LTD.			DRAWN BY	TOMMY
				CHECKED	TOMMY
TITLE:	FFC Connector, Pitch 2.54mm Dip R/A Right Angle, Non-ZIP			APPROVED	CAROL
PART NO:	PF-xxA01RKN			DRAWING NO.	
SCALE	/	REV	A	UNIT	mm

TOLERANCE
.X±0.30
.XX±0.20
.XXX±0.10

