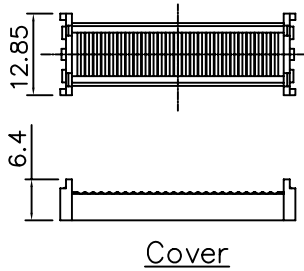
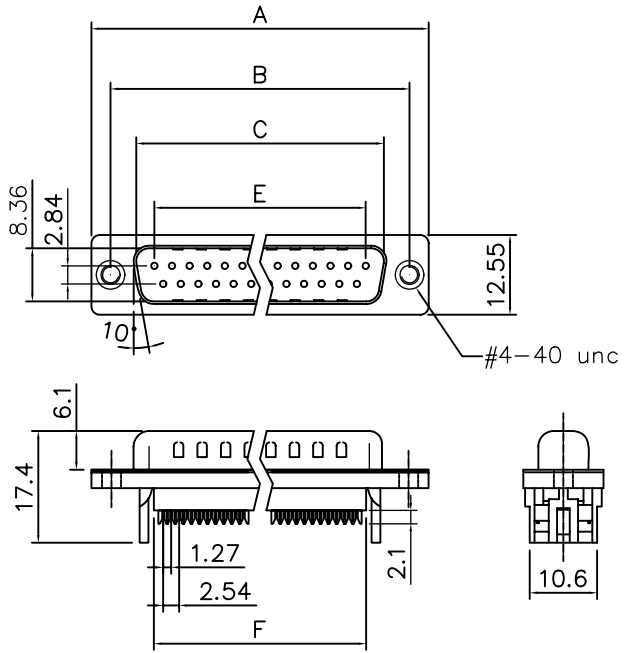


REV	DESCRIPTION	DATE
A	Initial Release	10.06.08



Product Specification
Material
 Insulator: Glass-Filled Thermoplastic PBT, UL94V-0
 Contact: Copper alloy
 Shell: Steel, 100u" Tin Over 50u" min Copper
 Clinch Nut: Brass, Nickel Plated
Electrical
 Contact Resistance: 20 milliohms
 Insulation Resistance: 1000 mahohms at 500 VDC
 Dielectric Withstanding Voltage: 1000 VAC/rms 60Hz for 1 minute
 Current Rating: 3 AMP
 Volatge Rating: 250 VAC/rms 60Hz
 Operating Temperature: -25°C ~ +85°C

With Insulator Support

PART NO.
 DBDC * * M TM - 02 * 00 *
 (1) (2) (3) (4) (5) (6) (7) (8)

Dimensions

Positions	A	B	C	E	F
9	30.81	24.99	16.92	11.08	13.10
15	39.20	33.30	25.25	19.39	20.70
25	53.04	47.04	38.96	33.24	33.68
37	69.40	63.50	55.42	49.86	50.30

- (1) SERIES
 .DBDC D-SUB I.D.C. CONNECTOR
- (2) NUMBER OF CONTACTS
 .09 - 9 POSITIONS
 .15 - 15 POSITIONS
 .25 - 25 POSITIONS
 .50 - 50 POSITIONS
- (3) CONTACT TYPE
 .M - PLUG (MALE)
 .F - SOCKET (FEMALE)
- (4) HOUSING CONSTRUCTION TYPES
 .SP - STANDARD THROUGH HOLES (ALL PLASTIC TYPE)
 .TP - WITH 4#-40UNC THREADED INSERT (ALL PLASTIC TYPE)
 .SM - STANDARD THROUGH HOLES (WITH METAL SHELL)
 .TM - WITH 4#-40UNC THREADED INSERT (WITH METAL SHELL)
 .MP - WITH M3x0.5 THREADED INSERT (ALL PLASTIC TYPE)
 .MM - WITH M3x0.5 THREADED INSERT (WITH METAL SHELL)
- (5) METAL SHELL FINISH
 01 - WITHOUT METAL SHELL (ALL PLASTIC TYPE)
 02 - TIN PLATED SHELL 03 - YELLOW CHROMATE OVER ZINC SHELL
- (6) COLOR CODES
 .B - BLUE
 .G - GRAY
 .K - BLACK

- (7) CONTACT FINISH
 .00 - SELECTED GOLD FLASH OVER 30u" NICKEL
 .15 - 15u" SELECTED GOLD OVER 50u" NICKEL
 .30 - 30u" SELECTED GOLD OVER 50u" NICKEL
- (8) STRAIN RELIEF
 .N - WITHOUT STRAIN RELIEF
 .P - PLASTIC STRAIN RELIEF

RoHS COMPLIANT

UNLESS OTHERWISE SPECIFIED,
 GENERAL TOLERANCE:
 DECIMALS ANGLES
 X .±0.38 [0.015] X* ±3°
 .X ±0.25 [0.010] .X* ±1.0°
 .XX ±0.13 [0.005]

	PANSTRONG COMPANY LTD.		DRAWN BY	TOMMY
			CHECKED	JACK
TITLE:	IDC D-Sub Male for Flat Cable		APPROVED	FRACKY
PART NO:	DBDCXXMTM02X00P		DRAWING NO.	
SCALE	1:1	REV	A	UNIT mm

