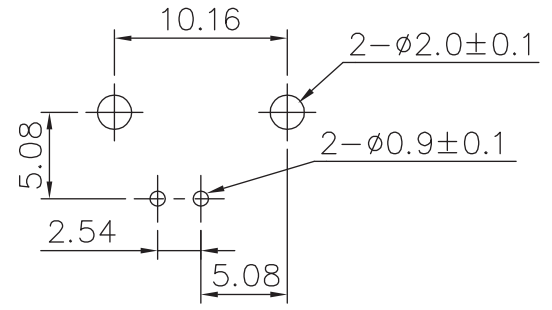
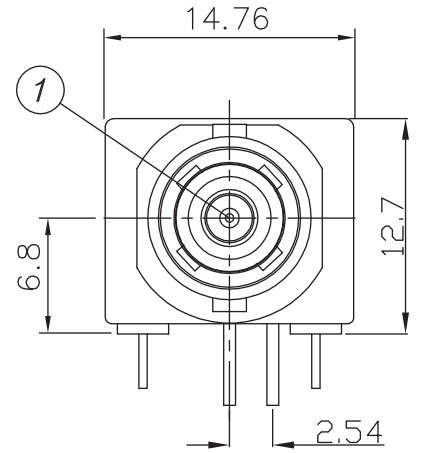
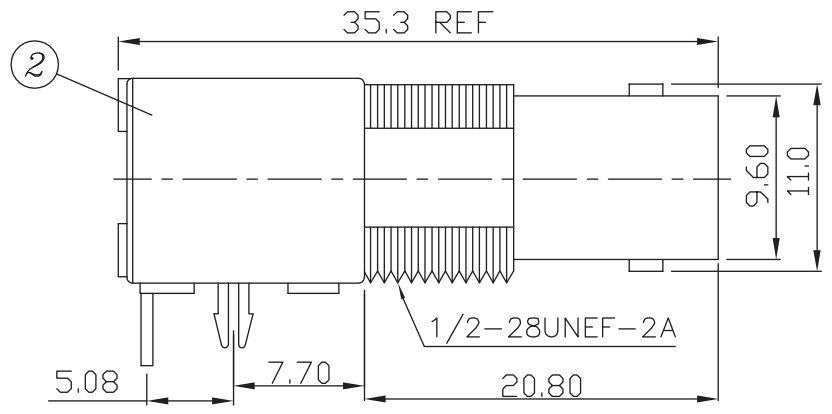
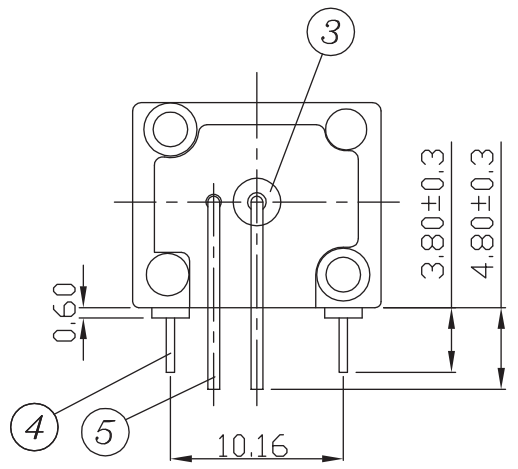
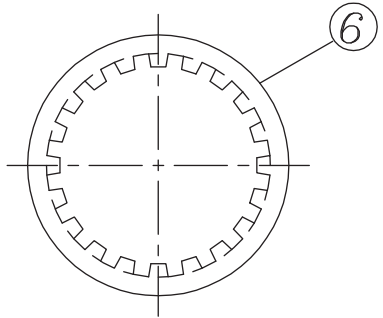


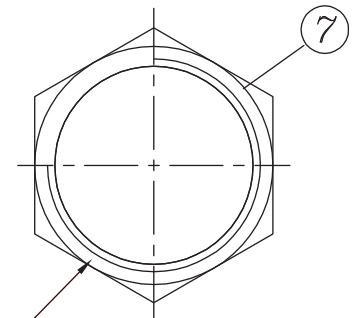
REV	DESCRIPTION	DATE
A	Initial Release	10'.02.24



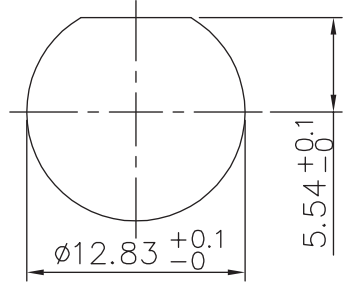
RECOMMENDED PC BOARD LAYOUT
WITHOUT MOUNTING POSTS



WASHER



CLAMP NUT



RECOMMENDED MOUNTING HOLE
MAXIMUM PANEL THICKNESS: 5.5MM

MATERIAL & FINISH

- ① CENTER CONTACT : PHOSPHOR BRONZE, GOLD PLATING
- ② BODY : ZINC ALLOY, NICKEL PLATING
- ③ INSULATOR : PE-606
- ④ MOUNTING POST : BRONZE, TIN PLATING
- ⑤ SOLDER TAIL : COPPER WIRE, TIN PLATING
- ⑥ WASHER : STEEL, NICKEL PLATING
- ⑦ NUT : BRASS, NICKEL PLATING

UNLESS OTHERWISE SPECIFIED:
DIMENSIONS ARE IN mm
TOLERANCES ARE:
X. ± 0.5
X.X ± 0.3
X.XX ± 0.2
ANGLES ± 3 DEG

PANSTRONG COMPANY LTD.				DRAWN BY		TOMMY			
				CHECKED					
TITLE:		75Ω BNC R/A PCB MOUNT JACK, METAL BODY WITH FITTING				APPROVED			
PART NO:		BF01N0303E-2				DRAWING NO.			
SCALE		1:1		REV	A		UNIT	mm	