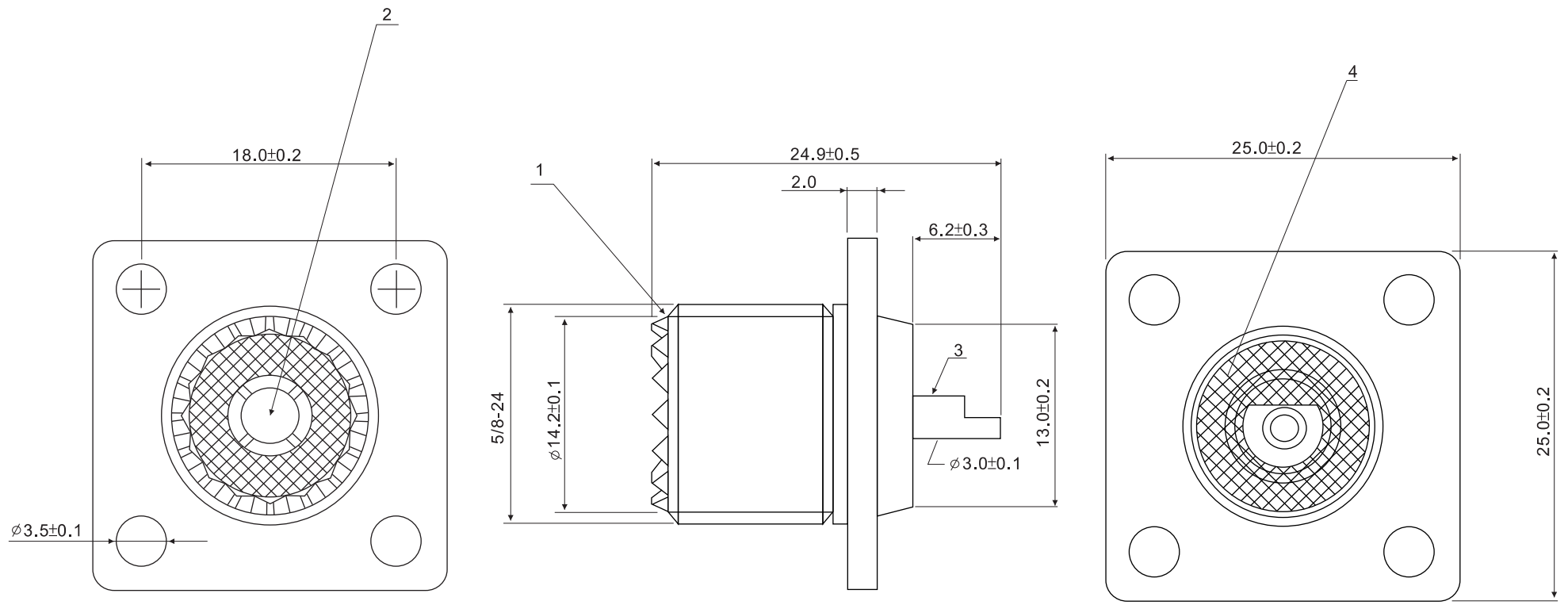

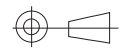


|     |                 |          |
|-----|-----------------|----------|
| REV | DESCRIPTION     | DATE     |
| A   | Initial Release | 05.12.01 |



|    |             |          |        |      |
|----|-------------|----------|--------|------|
| 3  | PIN         | BRASS    | GOLD   | 1    |
| 2  | INSULATOR   | BAKELITE | WHITE  | 1    |
| 1  | BODY        | ZINC     | NICKEL | 1    |
| NO | DESCRIPTION | MATERIAL | FINISH | Q'TY |

|   |  |                                    |  |          |  |             |  |       |  |    |  |   |  |
|---|--|------------------------------------|--|----------|--|-------------|--|-------|--|----|--|---|--|
|  <b>PANSTRONG COMPANY LTD.</b> |  |                                    |  | DRAWN BY |  | TOMMY       |  |       |  |    |  |   |  |
|   |  |                                    |  | CHECKED  |  | TOMMY       |  |       |  |    |  |   |  |
| TITLE:  |  | UHF FEMALE SOLDER PANEL RECEPTACLE |  |          |  | APPROVED    |  | CAROL |  |    |  |   |  |
| PART NO:  |  | UF02N0406H4                        |  |          |  | DRAWING NO. |  |       |  |    |  |   |  |
| SCALE   |  | 3:1                                |  | REV      |  | A           |  | UNIT  |  | mm |  |  |  |