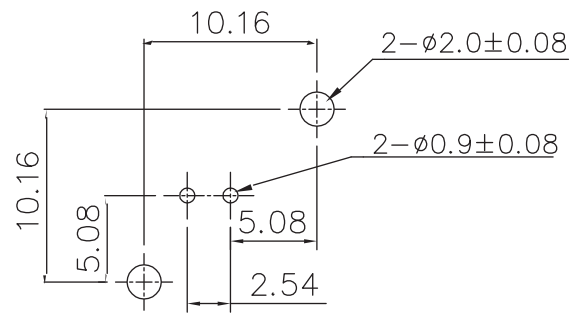
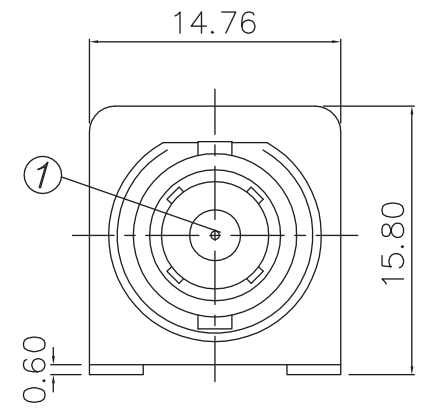
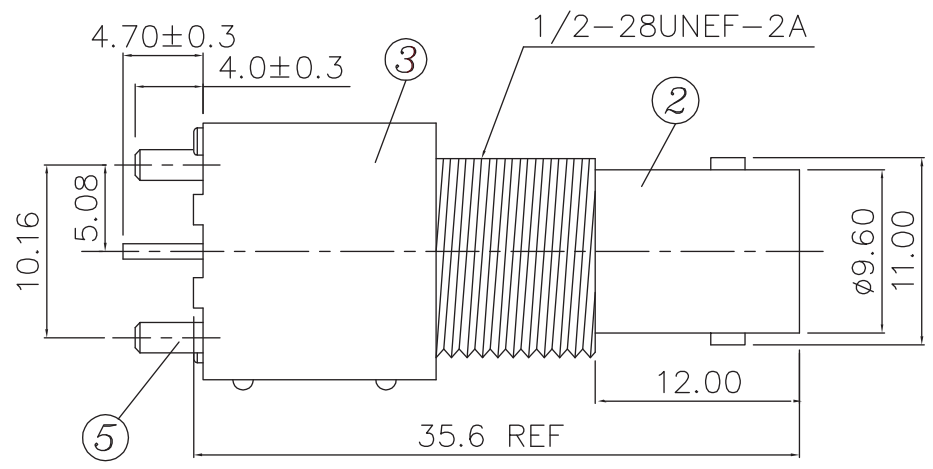
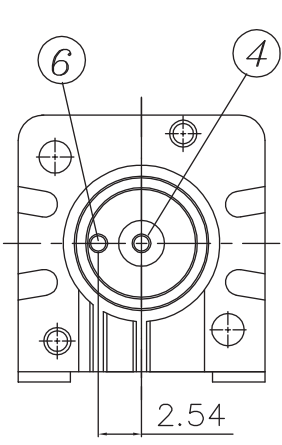
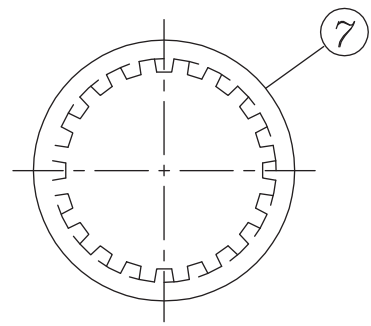


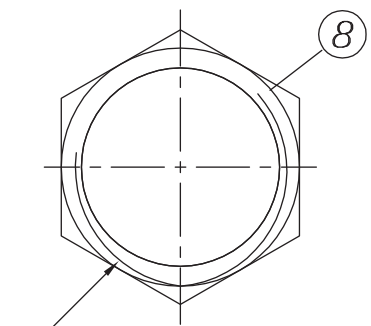
| | | |
|-----|-----------------|----------|
| REV | DESCRIPTION | DATE |
| A | Initial Release | 10.02.10 |



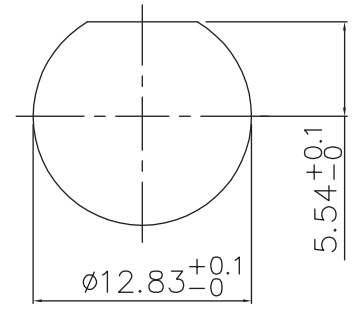
RECOMMENDED PC BOARD LAYOUT
WITHOUT MOUNTING POSTS



LOCK WASHER



1/2-28UNEF-2B
CLAMP NUT



RECOMMENDED MOUNTING HOLE
MAXIMUM PANEL THICKNESS: 5.5MM

MATERIAL & FINISH

- ① CENTER CONTACT : PHOSPHOR BRONZE, GOLD PLATING
- ② BODY : ZINC ALLOY, NICKEL PLATING
- ③ HOUSING : PBT (94 V-0)
- ④ INSULATOR : PE-606
- ⑤ MOUNTING POST : BRASS, TIN PLATING
- ⑥ SOLDER TAIL : COPPER WIRE, TIN PLATING
- ⑦ WASHER : STEEL, NICKEL PLATING
- ⑧ NUT : BRASS, NICKEL PLATING

| P/N | HOUSING COLOR |
|--------------|---------------|
| BF02W0301B-2 | WHITE |
| BF02K0301B-2 | BLACK |

| | | | | | | | |
|------------------------|--|--|-----|----------|------|-------------|--|
| PANSTRONG COMPANY LTD. | | | | DRAWN BY | | TOMMY | |
| | | | | CHECKED | | | |
| TITLE: | | 75Ω V/A BNC PCB RECEPTACLE, METAL HOUSING WITH FITTING | | | | APPROVED | |
| PART NO: | | BF02X0301-2 | | | | DRAWING NO. | |
| SCALE | | 2:1 | REV | A | UNIT | mm | |

UNLESS OTHERWISE SPECIFIED:
DIMENSIONS ARE IN mm
TOLERANCES ARE:
X, ± 0.5
XX, ± 0.3
XXX, ± 0.2
ANGLES ± 3 DEG