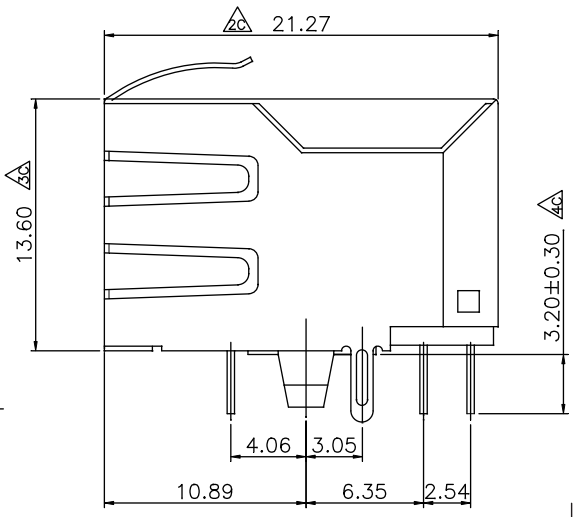
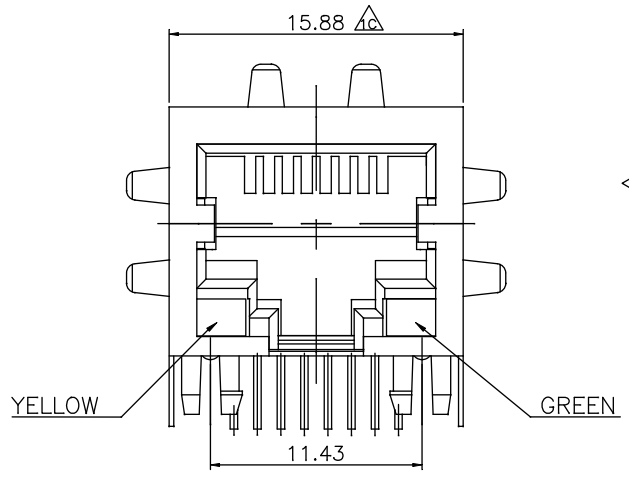


REV	DESCRIPTION	DATE
A	Initial Release	07:06:07
B	Drawings Update	15:05:12

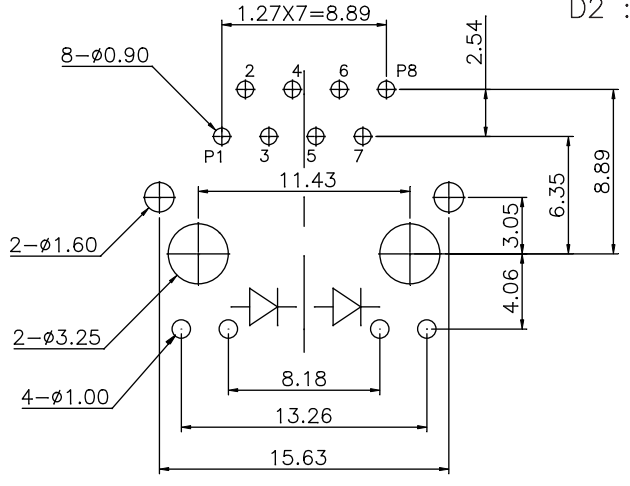
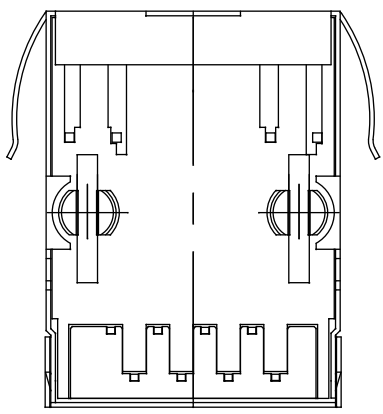


MATERIALS:
 PLASTIC HOUSING: HIGH TEMP. THERMOPLASTIC
 FLAMMABILITY RATING UL 94V-0.
 CONTACTS: PHOSPHOR BRONZE.
 PLATING: GOLD PLATING OVER NICKEL IN CONTACT.
 MATTE TIN PLATING OVER NICKEL IN SOLDER AREA.
 SHIELD: BRASS PLATING NICKEL ALLOY.

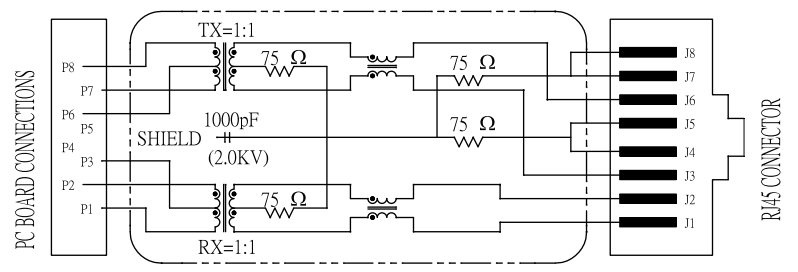
Part No.
 MJSD1FL-01Kxx-T5A

LED Colors
 D1 : Left Yellow
 Right Green
 D2 : Left Green
 Right Yellow

Contact Gold Plating
 06 : 6u"
 30 : 30u"



RoHS COMPLIANT



TOLERANCE	
.XXX	±0.10
.XX	±0.25
.X	±0.38
X	±0.50
ANG	±3°

		DRAWN BY	TOMMY
		CHECKED	
TITLE:	10/100 BaseT RJ45		APPROVED
PART NO:	MJSDFL-01KT5A		DRAWING NO.
SCALE	2.5:1	REV	B
UNIT	mm		