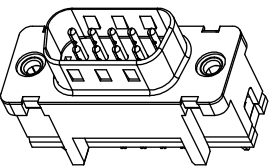
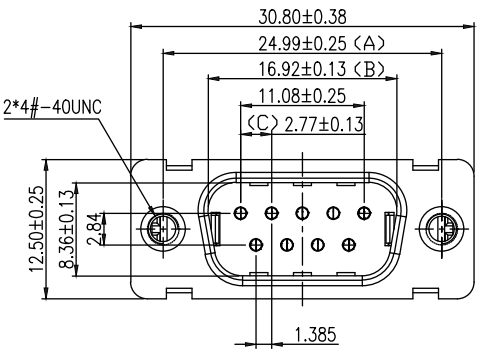


REV	DESCRIPTION	DATE
A	Initial Release	16.06.16

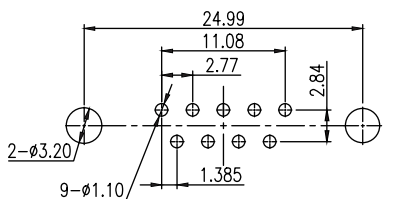
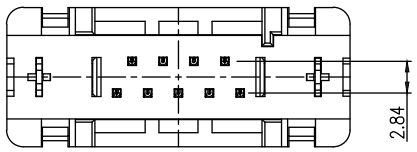
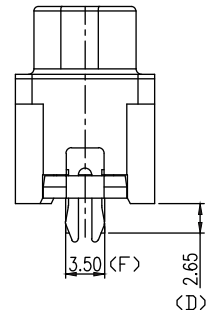
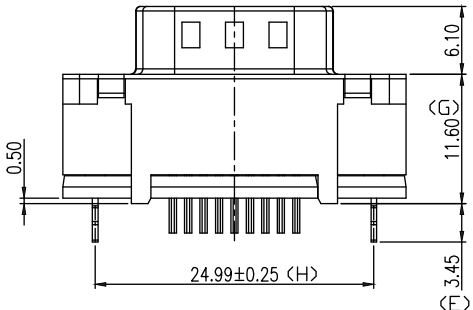


SPECIFICATIONS

1. D-SUB
- 1.1 Voltage: 250 VAC(RMS) Max.
- 1.2 Current Rating: 3 Ampere per Contact
- 1.3 Contact Resistance: 25 Milliohms Max.
- 1.4 Insulation Resistance: 5000 Megohms Min.
- 1.5 Dielectric Withstanding Voltage: 1000V AC(RMS)
- 1.6 Total Mating Force: 4.0 Kgf Max.
- 1.7 Total Unmating Force: 1.0 Kgf Min.
- 1.8 Operating Temperature: -55°C to +85°C

NOTES

1. MATERIAL:
Housing:PBT, UL 94V-0, Color:Green(322C).
Terminal:Copper Alloy.
Shell:SPCC.
Boardlock:Steel.
2. FINISH:
Terminal:Gold Plated over Nickel at Contact Area.
Tin Plated over Nickel at Solder Ared.
Shell:Nickel Plated.
Boardlock:Tin Plated.
3. This Product is LEAD-FREE & GP Compliance Product.



RECOMMEND PCB LAYOUT(TOP VIEW)
PCB THICKNESS:1.60mm.
TOLERANCE:±0.05mm.
INSPECTION DIMENSION:(A)~(H)

SERIES NO. DBH XXX XXXXXXXG0		G: IT'S COMPLIANT WITH GP
NUMBER OF POSITION	1D: 9-POS. MALE (15.1mm) 2D: 9-POS. MALE (14.6mm) 3D: 9-POS. MALE (13.0mm) 4D: 9-POS. MALE (11.6mm) 5D: 9-POS. MALE (10.0mm) 6D: 9-POS. MALE (8.5mm) 1H: 15-POS. HI-DEN FEMALE (15.1mm) 2H: 15-POS. HI-DEN FEMALE (14.6mm) 3H: 15-POS. HI-DEN FEMALE (13.0mm) 4H: 15-POS. HI-DEN FEMALE (11.6mm) 5H: 15-POS. HI-DEN FEMALE (10.0mm) 6H: 15-POS. HI-DEN FEMALE (8.5mm)	INSULATOR MATERIALS 1: PBT 3: PA9T
CONTACT STYLE	S: SOCKET P: PLUG	COLOR STYLE 1: ALL BLACK 2: ALL BLUE 3: ALL GREEN
CONTACT MATERIALS	1: BRASS	FLANGE MOUNTING OPTION 1: #4-40 THREADED HOLE L: #4-40 THREADED HOLE WITH #4-40UNC SCREWLOCK INSTALLED (4.8x9.5) M: #4-40 THREADED HOLE WITH #4-40UNC SCREWLOCK BULK-PACKED (4.8x9.5)
CONTACT FINISH	1: G/F BRIGHT TIN 3: 15u" GOLD BRIGHT TIN 4: 30u" GOLD BRIGHT TIN	BOARD MOUNTING OPTION 2: 2-FINGER BOARDLOCK 8: HOLE BOARDLOCK
		FRONT SHELL FINISH 1: TIN 2: NICKEL

UNLESS OTHERWISE SPECIFIED TOLERANCE mm:
.0 = ±0.38
.00 = ±0.25
.000 = ±0.13
ANGULAR ±2°

PANSTRONG COMPANY LTD.				DRAWN BY		TOMMY	
				CHECKED			
TITLE:		D-SUB 9 MALE STRAIGHT DIP MOUNT PLASTIC 11.6mm				APPROVED	
PART NO:		DBH XXX XXXXXXXG0				DRAWING NO.	
SCALE		1:1	REV	A	UNIT	mm	