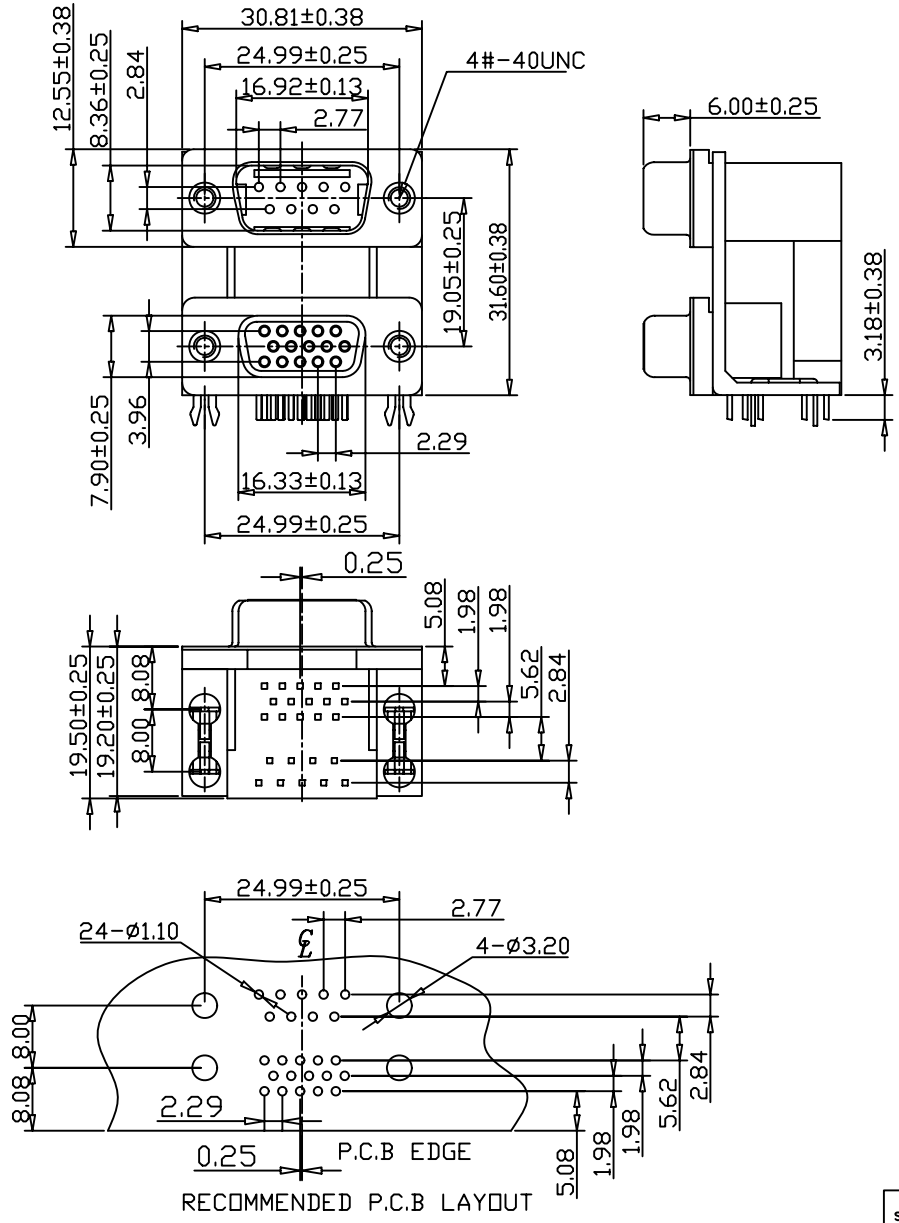


REV	DESCRIPTION	APPROVAL	DATE
A	Initial Release		02'.08.26



SPECIFICATIONS

ELECTRICAL CHARACTERISTICS:

Contact Current Rating:3 Amperes.
 Dielectric Withstanding Voltage: AC 1000/60sec.r.m.s.
 Insulation Resistance:5000 Medohms Minimum.at DC 500V.
 Contact Resistance:25 Milliohms Maximum.
 Operating Temperature:-55°C to+105°C.

MECHANICAL CHARACTERISTICS:

Contact Insertion Force:341 g.Maximum.
 Contact Separation Force:21 g.Minimum.

MATERIALS:

Contacts:Brass.
 Insulator: PBT UL 94V-0 Rated.
 Shell:Cold Roller Steel.

FINISHES:

Contact:Gold Flash.
 Shell:Nickel Plated.

SERIES NO. D201 B 1N X X00 X

DUAL PORT

SPACING BETWEEN PORTS

TYPE C-C (PROFILE)
 A: 15.88 mm(0.625")
 B: 19.05 mm(0.75")

TOP CONNECTOR TYPE
 1: 9-POS. MALE (09P)
 2: 9-POS. FEMALE (09S)

BOTTOM CONNECTOR TYPE
 D: 15-POS. MALE (15P)
 E: 15-POS. FEMALE (15S)
 F: 25-POS. MALE (25P)
 G: 25-POS. FEMALE (25S)
 M: 15-POS. HI-DEN FEMALE (H15S,8.89mm)
 N: 15-POS. HI-DEN FEMALE (H15S,5.08mm)
 P: 15-POS. HI-DEN FEMALE (H15S,3.08mm)

CONTACT FINISH
 0: FLASH GOLD
 1: 15u" GOLD
 2: 30u" GOLD

COLOR STYLE
 1: ALL BLACK
 2: FOR PC99 FOLLOW PANTONE COLOR
 3: UPPER PORT-BLACK
 LOWER PORT-FOR PC99 COLOR
 4: UPPER PORT-FOR PC99 COLOR
 LOWER PORT-BLACK

FLANGE MOUNTING OPTION
 0: #4-40 THREADED HOLE
 1: #4-40 THREADED HOLE
 WITH #4-40UNC SCREWLOCK INSTALLED
 2: #4-40 THREADED HOLE
 WITH #4-40UNC SCREWLOCK BULK-PACKED
 3: M3 THREADED HOLE
 4: M3 THREADED HOLE WITH M3 SCREWLOCK
 INSTALLED

BOARD MOUNTING OPTION
 0: QUAD ARROWHEAD BOARDLOCK(8.08x8.0mm)
 1: DUAL ARROWHEAD BOARDLOCK(8.08X8.0mm)
 2: QUAD ARROWHEAD BOARDLOCK(11.43X8.0mm)
 3: QUAD ARROWHEAD BOARDLOCK(9.50X8.18mm)

FRONT SHELL FLNISH
 0: TIN/LEAD OVER NICKEL
 1: NICKEL

UNLESS OTHERWISE SPECIFIED TOLERANCE

Inch:	.000 = ±0.01
	.0000 = ±0.050
mm:	.00 = ±0.25
	.000 = ±0.130
Ang:	0.0 = ±2°

PANSTRONG COMPANY LTD.	DRAWN BY	TOMMY
	CHECKED	
TITLE:	D-SUB 0.20"(5.08) FOOTPRINT 9 MALE/15 FEMALE HIGH DENSITY CONNECTOR DUAL PORT	
PART NO:	D201B1MXX00X	
File Number:		
SCALE	1:1	REV A
UNIT	mm	