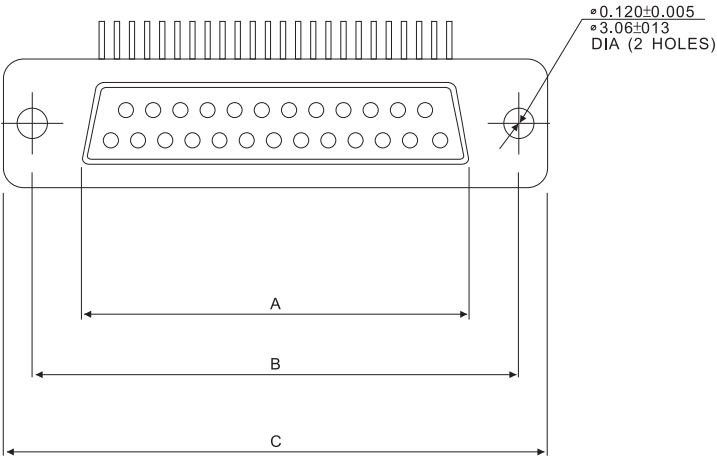


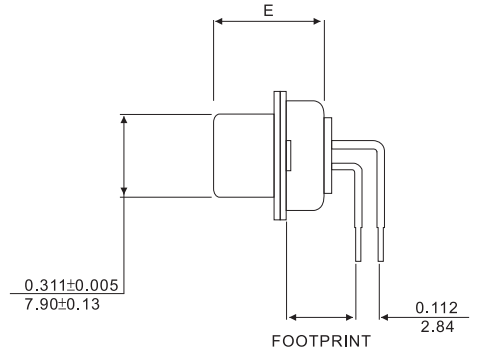
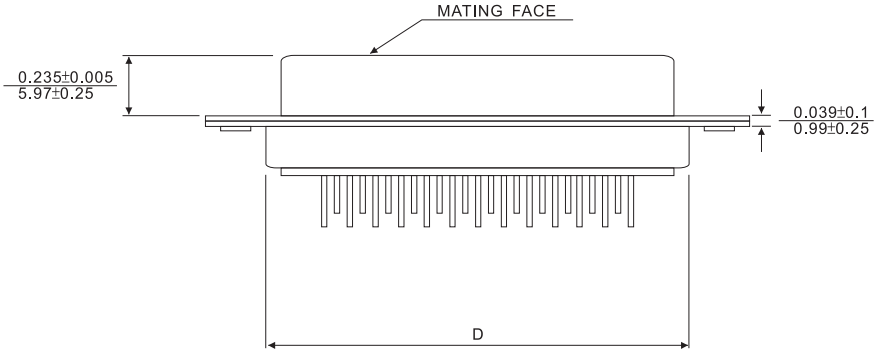
REV	DESCRIPTION	DATE
A	Initial Release	05.10.19

DM-7.2, DM-9.4 SERIES
D-SUB MACHINED PIN CONNECTOR,
RIGHT ANGLE TYPE



DIMENSIONS(FEMALE)

SHELL SIZE	A	B	C	D	E
	0.010 0.25	0.005 0.13	0.015 0.38	0.010 0.25	0.015 0.38
9	0.463 16.33	0.984 24.99	1.213 30.81	0.759 19.28	0.429 10.9
15	0.971 24.66	1.312 33.32	1.541 39.14	1.083 27.55	0.429 10.9
25	1.511 38.38	1.852 47.04	2.088 53.04	1.625 41.28	0.429 10.9
37	2.159 54.84	2.5 63.5	2.729 69.32	2.272 57.71	0.429 10.9
50	2.064 52.43	2.406 61.1	2.635 66.93	2.178 55.32	0.429 10.9



SERIES	DM-7.2	DM-9.4
FOOT-PRINT	0.283 7.19	0.370 9.40

RoHS Compliant

PANSTRONG COMPANY LTD.				DRAWN BY		TOMMY	
				CHECKED			
TITLE:		D-SUB MACHINED PIN CONN. RIGHT ANGLE TYPE "MALE"				APPROVED	
PART NO :		DB Female Machine Pin (RA)				DRAW NO	
DRAW . BOX NO :						UNIT	
SCALE		/	REV	A	mm		