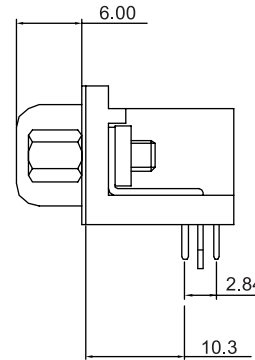
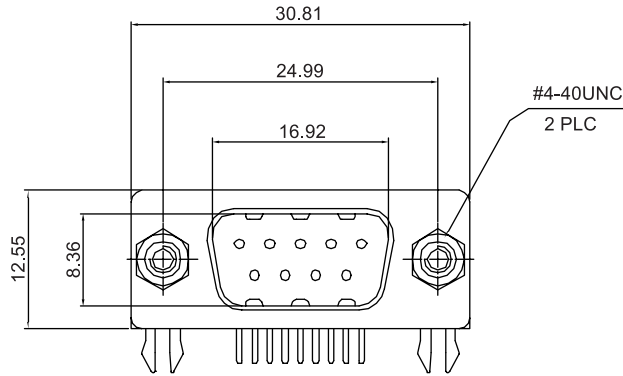


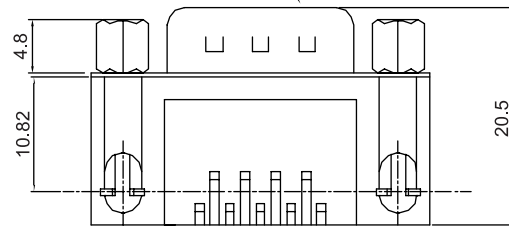
REV.	DESCRIPTION	DATE
A	Initial Release	05.12.29



ELECTRICAL CHARACTERISTICS

Contact Current Rating: 1.5 Amperes.
 Dielectric Withstanding Voltage: AC 500V at sea level.
 Insulation Resistance: 1000 Megohms Min.
 Contact Resistance: 30 Milliohms Max.
 Operating Temperature: -55°C to +105°C

MATING FACE

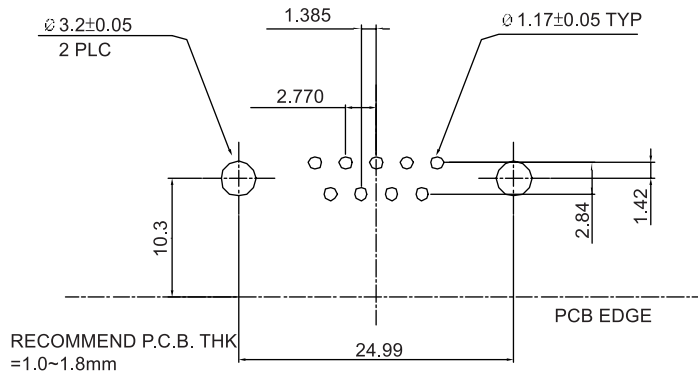


MECHANICAL CHARACTERISTICS


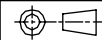
Mating Force: 3.5 Kg. Maximum.
 Unmating Force: 1 Kg. Minimum.

Material

Housing: PBT.
 Contact: Copper Alloy.
 Shell: SPCC.
 Z-Piece: Copper Alloy.
 Rivet: Copper Alloy or Fe.
 Screw: Copper Alloy.



RoHS Compliant

DWG NO:	MATERIAL:	 PANSTRONG COMPANY LTD.
MODEL NO:	FINISH:	
UNIT: mm	SIZE:	PART NAME: D SUB 0.9M 90D/9.4
TOLERANCE UNSPECIFIED	DR: TOMMY	PART NO: DB09M0101KG-L1E REV: A
.x ±0.3	CHK:	SCALE:
.xx ±0.20	APP:	SHEET: 1 of 1
.xxx ±0.100		
ANG. ±1°		