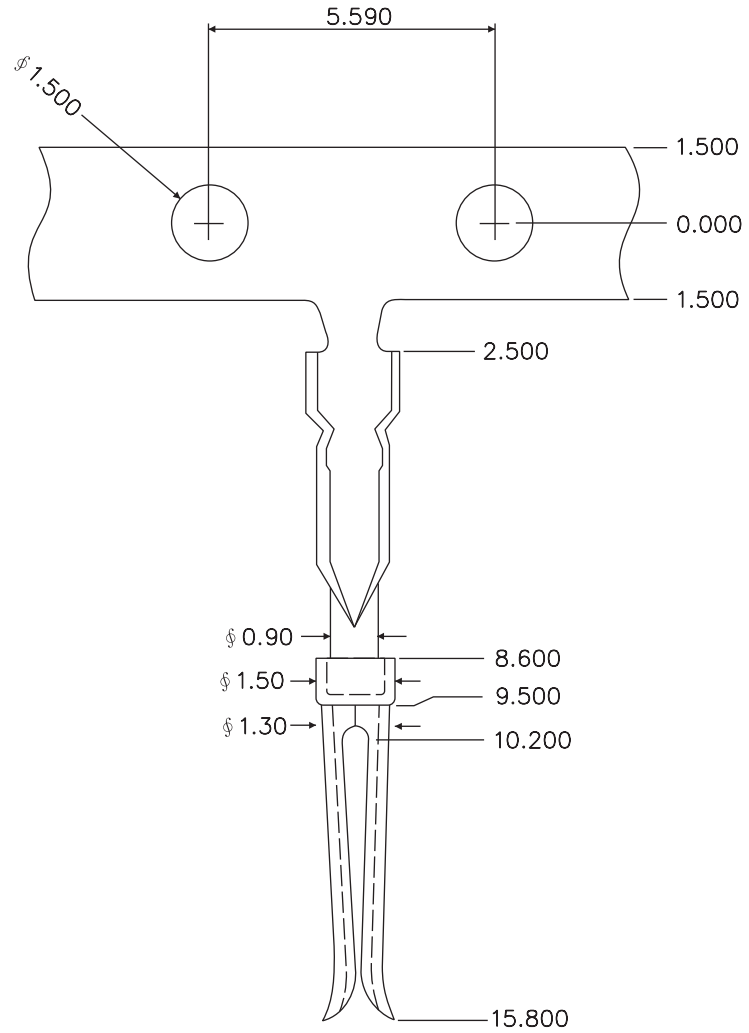
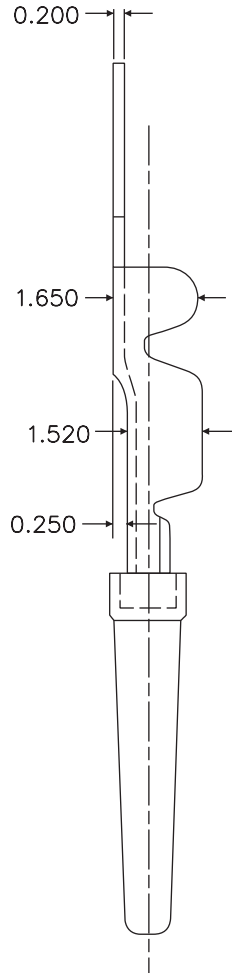
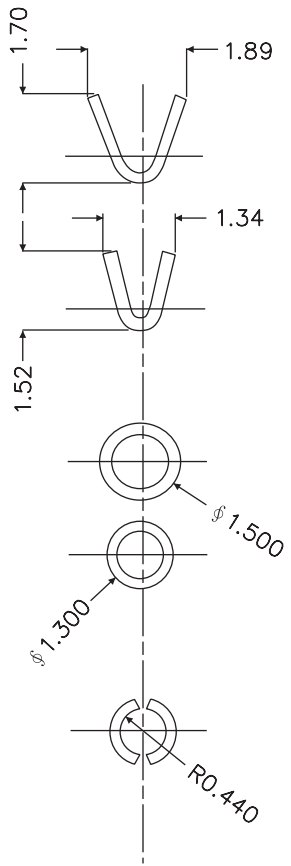



REV	DESCRIPTION	APPROVAL	DATE
A	Initial Release		05.11.16



RoHS Compliant

 <b>PANSTRONG COMPANY LTD.</b>				DRAWN BY		TOMMY
				CHECKED		
TITLE:					APPROVED	
PART NO:		T-HDF0100E			DRAW NO	
File Number:						
SCALE	/	REV	A	UNIT	mm	