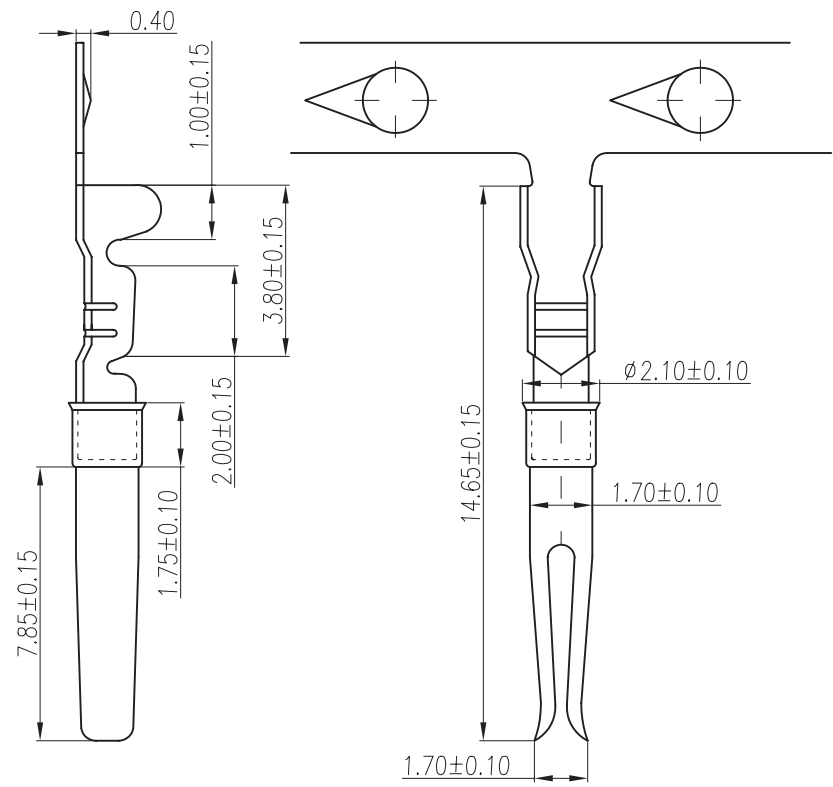
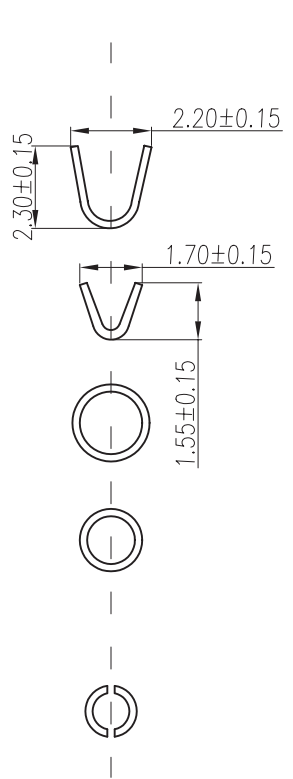


REV	DESCRIPTION	APPROVAL	DATE
A	Initial Release		06'.05.16



Material: Brass C2680 T=0.2+/-0.05

PART NO. T-DF0100E

Contact Plating:
 00: Selective Gold Flash
 15: 15u" Selective Gold
 30: 30u" Selective Gold

TOLERANCE	UNSPECIFIED
.x	±0.20
.xx	±0.10
.xxx	±0.05
ANG.	±1°

PANSTRONG COMPANY LTD.				DRAWN BY		TOMMY	
				CHECKED			
TITLE:		1.0 CR (F)		APPROVED			
PART NO:		T-DF0100E		DRAW NO			
File Number:							
SCALE	1:1	REV	A	UNIT	mm		