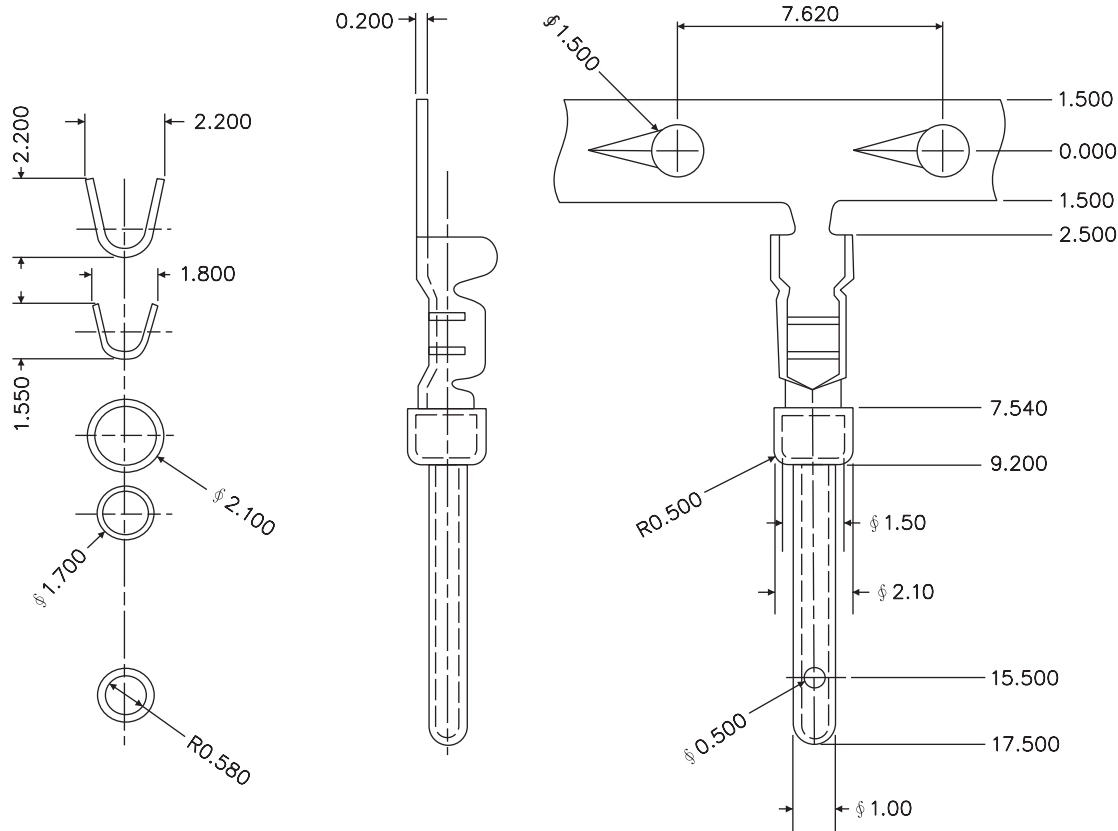



REV	DESCRIPTION	APPROVAL	DATE
A	Initial Release		05.11.16



RoHS Compliant

 PANSTRONG COMPANY LTD.				DRAWN BY		TOMMY	
				CHECKED			
TITLE:						APPROVED	
PART NO:		T-DM0100E				DRAW NO	
File Number:							
SCALE		/	REV	A	UNIT	mm	