

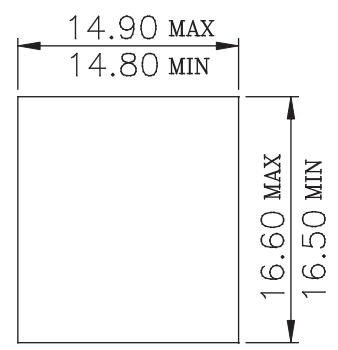
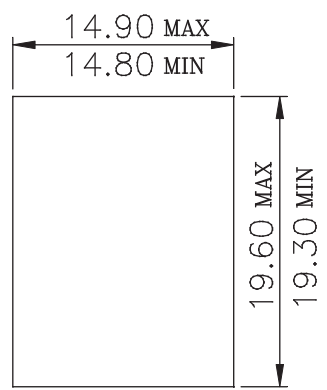
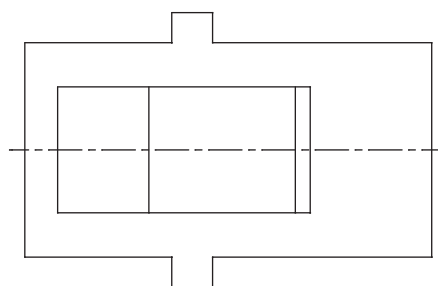
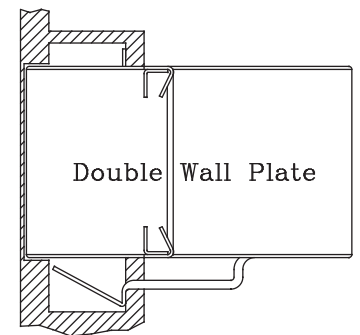
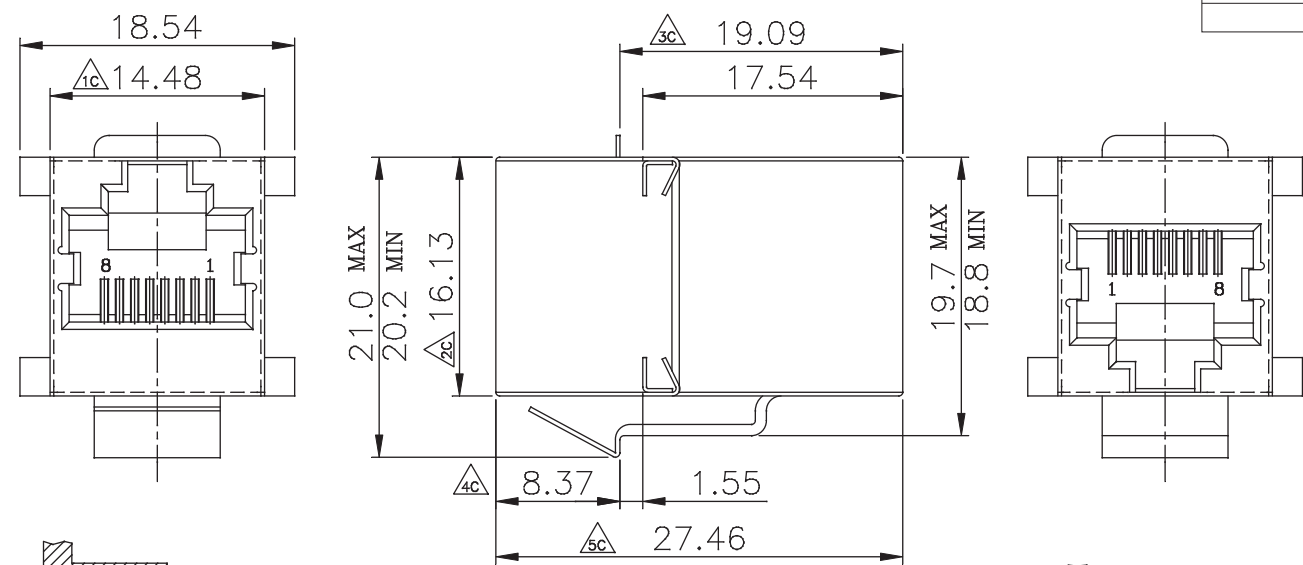
REV	DESCRIPTION	DATE
A	Initial Release	04.04.30

MATERIALS:
 SHIELDED: STAINLESS STEEL.
 PLASTIC HOUSING: ENGINEERING THERMOPLASTIC
 FLAMMABILITY RATING UL 94V-0.
 CONTACTS: 0.35MM THICKNESS PHOSPHOR BRONZE
 PLATING: GOLD PLATING OVER NICKEL IN CONTACT.

PART NO. MJADS88U0K06E

Contact Gold Plating
 06: 6u" Gold
 :
 50: 50u" Gold

Q.C. Dimensions



Single Panel-Latch Clearance
 Panel Thickness 0.062 inch

Front Panel Jack Only Clearance
 W/O Latch Feature

TOLERANCE	
.XXX	±0.10
.XX	±0.25
.X	±0.38
X	±0.50
ANG	±3°

	PANSTRONG COMPANY LTD.			DRAWN BY	TOMMY
				CHECKED	
TITLE:		MODULAR COUPLER JACK (8P8C SHIELDED)		APPROVED	
PART NO:		MJADS88U0K		DRAW NO	
File Number:				UNIT	mm
SCALE	2:1	REV	A		