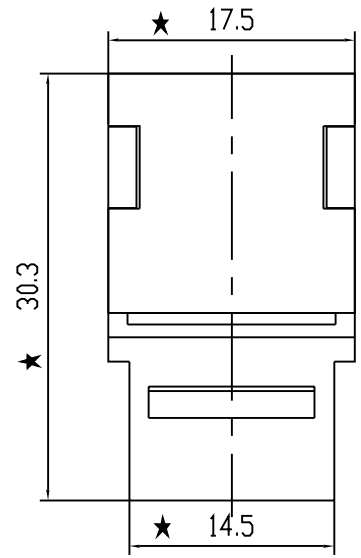
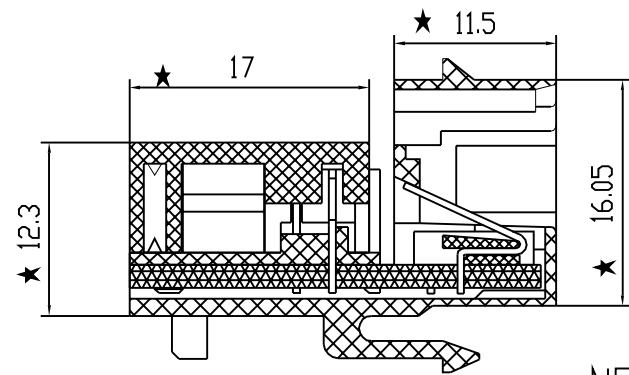
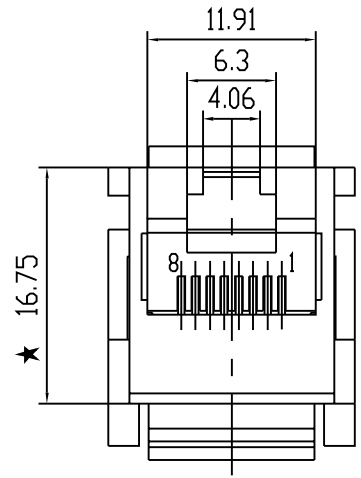


REV	DESCRIPTION	APPROVAL	DATE
A	Initial Release		08'.11.07



- NOTES:
- ELECTRICAL:
    - VOLTAGE RATING: 125 VAC RMS;
    - CURRENT RATING: 1.5 AMP;
    - CONTACT RESISTANCE: 20 MILLIOHMS Max;
    - INSULATION RESISTANCE: 1000 MEGOHMS Min @500 VDC;
    - DIELECTRIC STRENGTH: 1000 VAC RMS 50 or 60Hz 1 Minute;
  - MECHANICAL:
    - HOUSING: ABS, UL94V-0, BLACK;
    - INSERT: PA, UL94V-0, BLACK;
    - TERMINALS: DIA 0.46 PHOSPHOR BRONZE PLATED 3u" Au;
    - DURABILITY: 750 CYCLES Min.
  - ★ Critical Dimension.

RoHS Compliant

TOLERANCES  
 0~10±0.1  
 10~20±0.15  
 >20±0.2

PANSTRONG COMPANY LTD.				DRAWN BY		TOMMY	
				CHECKED			
TITLE:		Toolless Keystone Jack		APPROVED			
PART NO:		KJ-008		DRAW NO			
File Number:				UNIT		mm	
SCALE	2:1	REV	A				