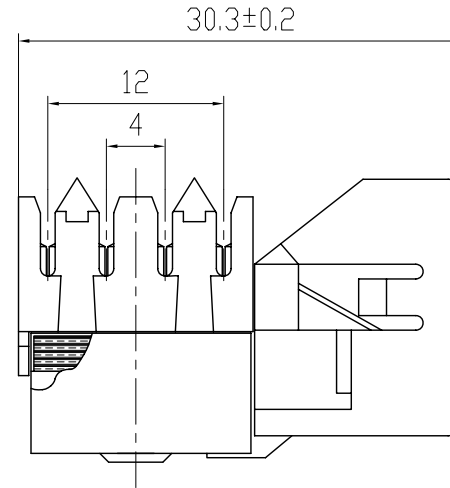
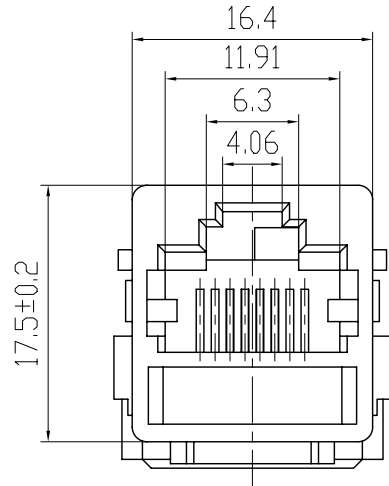


| REV | DESCRIPTION     | DATE      |
|-----|-----------------|-----------|
| A   | Initial Release | 08'.05.12 |



|                |            |
|----------------|------------|
| Contact Pin    | Qan6.5-0.1 |
| Housing        | PBT        |
| Terminal Block | PBT        |
| Part Name      | Material   |

TECHNICAL SPEC.:

1. Insulator Resistance: Min 1000M Ohms
2. Dielectric Withstanding Voltage: AC 1000V for 1 Minute
3. Durability: Minimum. 750 Cycles

RoHS Compliant

TOLERANCES  
 0~10±0.1  
 10~20±0.15  
 >20±0.2

|                        |     |                       |   |          |    |          |  |
|------------------------|-----|-----------------------|---|----------|----|----------|--|
| PANSTRONG COMPANY LTD. |     |                       |   | DRAWN BY |    | TOMMY    |  |
|                        |     |                       |   | CHECKED  |    |          |  |
| TITLE:                 |     | RJ11 LT KEYSTONE JACK |   |          |    | APPROVED |  |
| PART NO:               |     | KJ-004                |   |          |    | DRAW NO  |  |
| File Number:           |     |                       |   |          |    |          |  |
| SCALE                  | 2:1 | REV                   | A | UNIT     | mm |          |  |