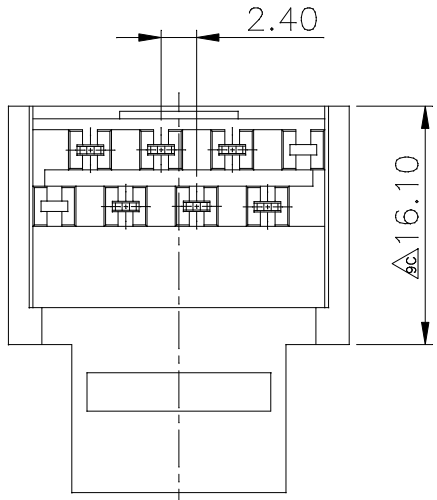


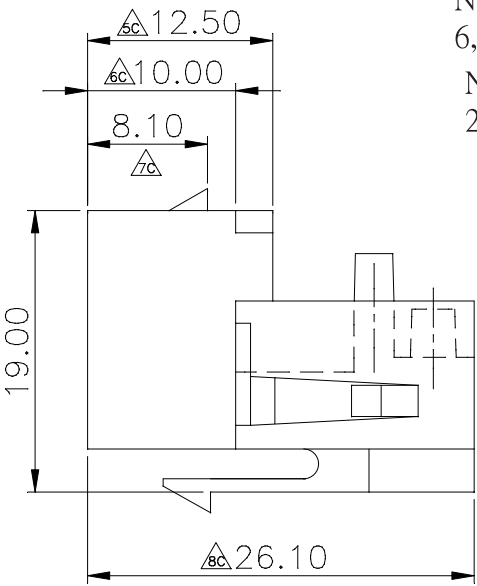
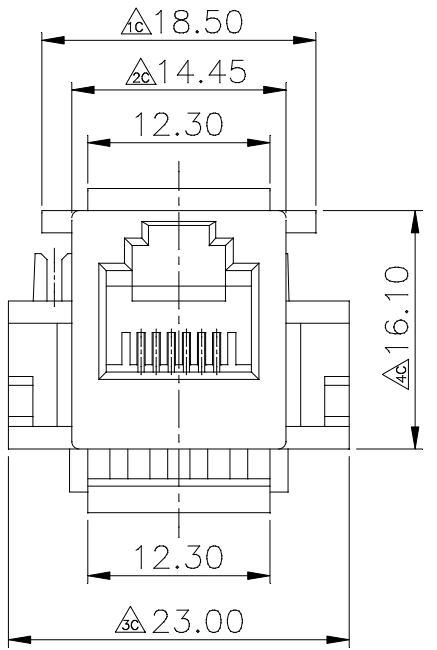
REV	DESCRIPTION	DATE
A	Initial Release	07.09.17



MATERIALS:

PLASTIC HOUSING: ENGINEERING THERMOPLASTIC
 FLAMMBILITY RATING UL 94V-0.

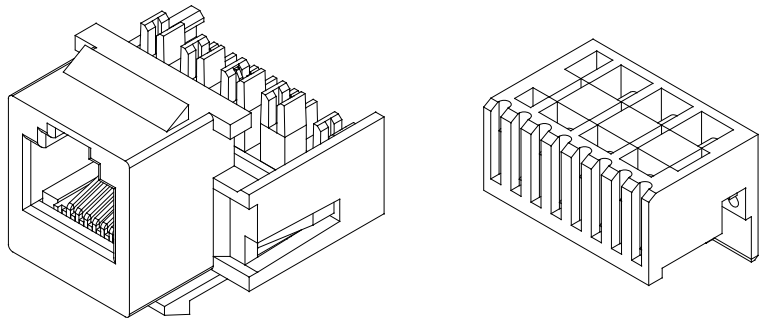
CONTACTS: PHOSPHOR BRONZE
 PLATING: GOLD PLATING OVER NICKEL IN CONTACT.



P/N
 KJ X X - 003 X - LH

No. of Positions:
 6, 8
 No. of Contacts:
 2, 4, 6, 8

Housing Color:
 I: Ivory K: Black R: Red
 K: Black W: White Y: Yellow



* \triangle Controlled Dimensions

RoHS COMPLIANT

TOLERANCE	
.XXX	±0.10
.XX	±0.25
.X	±0.38
X	±0.50
ANG	±3°

PANSTRONG COMPANY LTD.				DRAWN BY		TOMMY	
				CHECKED			
TITLE:		6P6C KEYSTONE JACK				APPROVED	
PART NO:		KJXX-003X-LH				DRAW NO	
File Number:							
SCALE	2:1	REV	A	UNIT	mm		