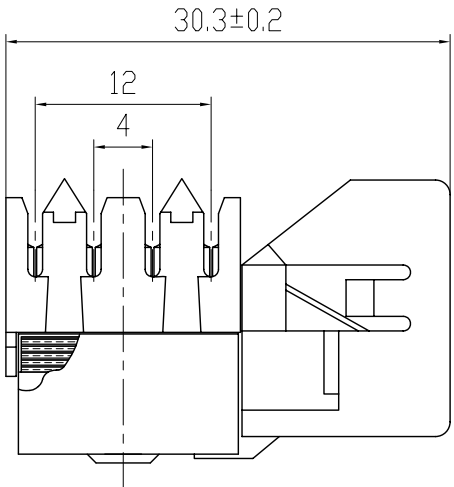
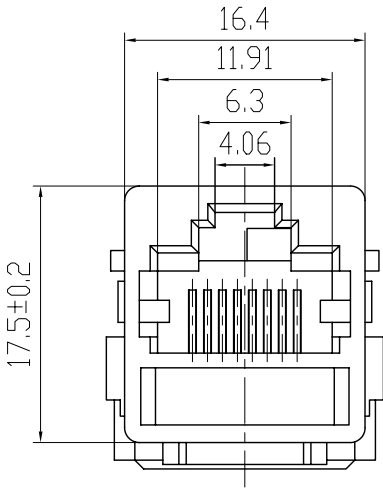


REV	DESCRIPTION	DATE
A	Initial Release	08'.05.12




TECHNICAL SPEC.:

1. Insulator Resistance: Min 1000M Ohms
2. Dielectric Withstanding Voltage: AC 1000V for 1 Minute
3. Durability: Minimum. 750 Cycles

Contact Pin	Qan6.5-0.1
Housing	PBT
Terminal Block	PBT
Part Name	Material

RoHS Compliant

TOLERANCES
 0~10±0.1
 10~20±0.15
 >20±0.2

 PANSTRONG COMPANY LTD.				DRAWN BY		TOMMY	
				CHECKED			
TITLE:		LT KEYSTONE JACK				APPROVED	
PART NO:		KJ-002				DRAW NO	
File Number:							
SCALE	2:1	REV	A	UNIT	mm	