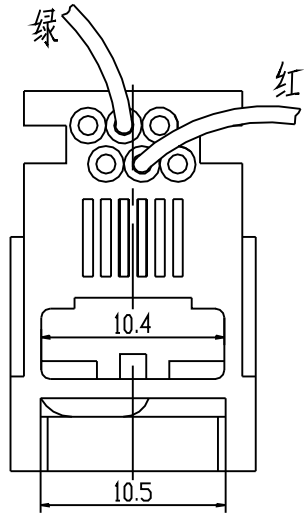
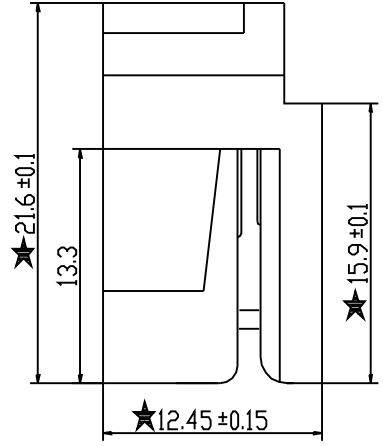
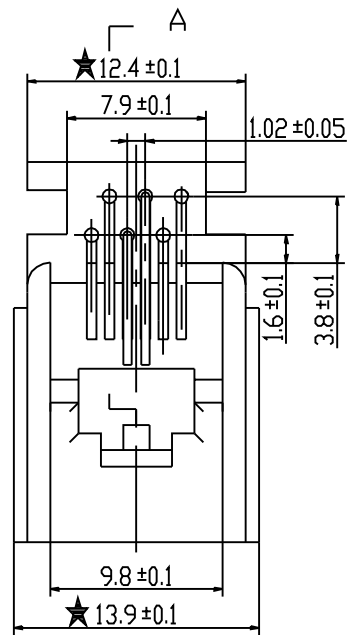


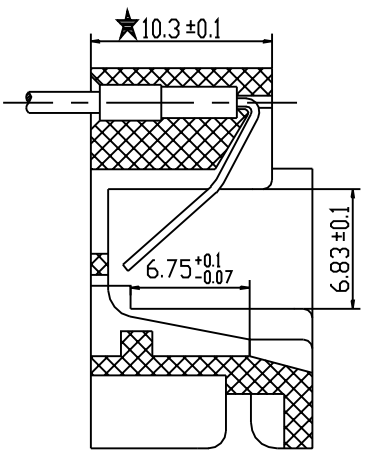
REV	DESCRIPTION	DATE
A	Initial Release	08'.09.17



1. ELECTRICAL:
  - 1.1 VOLTAGE RATING: 125 VAC RMS;
  - 1.2 CURRENT RATING: 1.5 AMP;
  - 1.3 CONTACT RESISTANCE: 20 MILLIOHMS Max;
  - 1.4 INSULATION RESISTANCE: 1000 MEGOHMS Min @500 VDC;
  - 1.5 DIELECTRIC STRENGTH: 1000 VAC RMS 50 or 60Hz 1 Minute;
2. MECHANICAL:
  - 2.1 HOUSING: ABS. UL94V-0. GRAY;
  - 2.2 TERMINALS: DIA 0.46 PHOSPHOR BRONZE PLATED  $3\mu$  Au;
  - 2.3 DURABILITY: 750 CYCLES Min.
3. \*★ Critical Dimension.

L A

A-A



TOLERANCES  
 0~15  $\pm 0.15$ ,  
 15~30  $\pm 0.2$ ,  
 30~  $\pm 0.25$   
 ANGLE  $\pm 1^\circ$ .

PANSTRONG COMPANY LTD.				DRAWN BY		TOMMY	
				CHECKED			
TITLE:				APPROVED			
PART NO:				DRAW NO			
File Number:							
SCALE	2.5:1	REV	A	UNIT	mm		