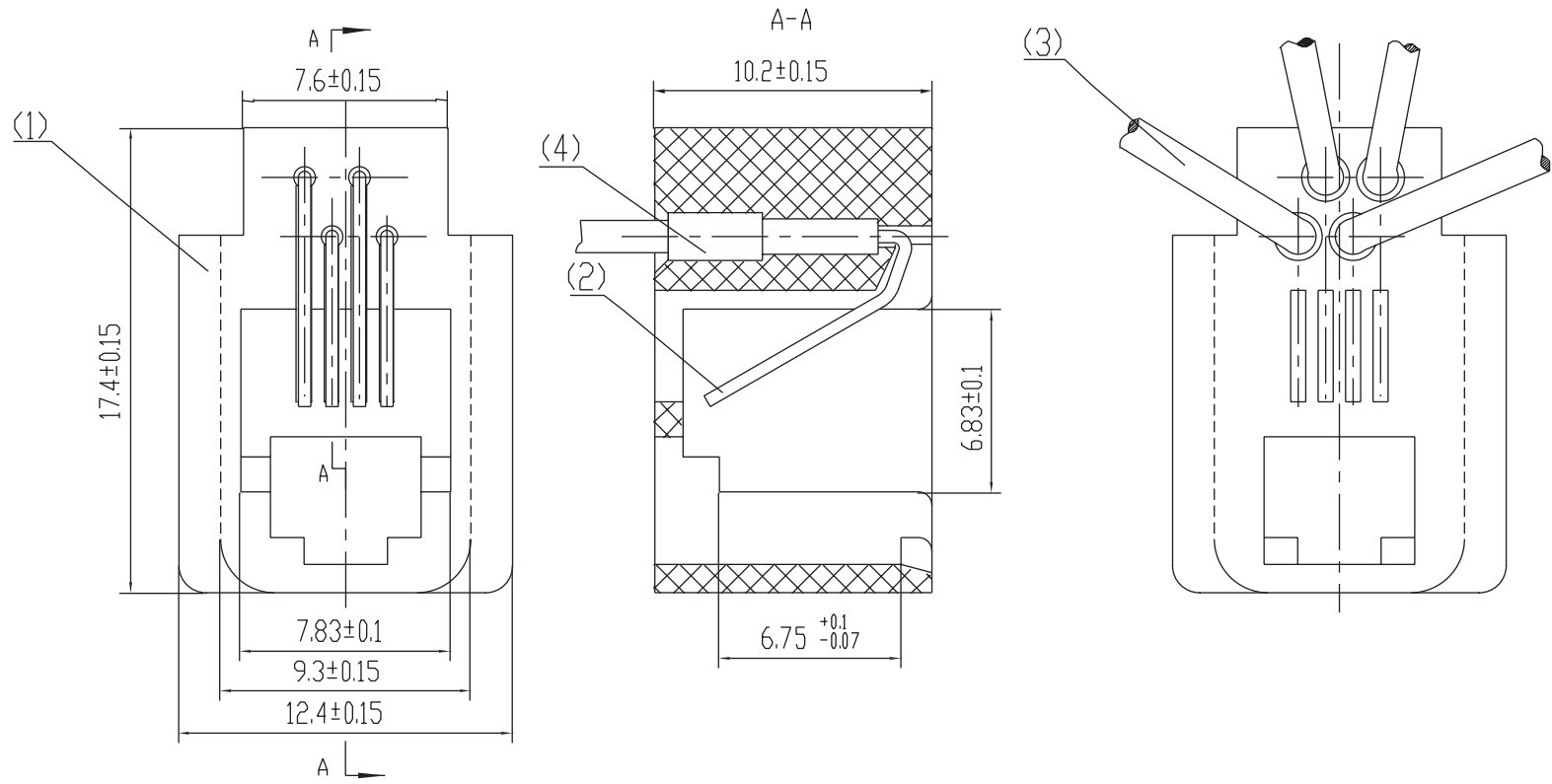


REV	DESCRIPTION	DATE
A	Initial Release	07.12.26



Specification

1. Insulation Resistance: 1000 Megohms min.
2. Withstand Voltage: 1000V, AC/minute
3. Durability: 600 mating circles min.
4. Tolerances unless otherwise specified: 0~10 \pm 0.1; 10~20 \pm 0.15; 20~30 \pm 0.2
5. Selective Gold-plating: (3;6;15;30;50) micro inch

(4)	Terminal	2;4	Brass	
(3)	wire	2;4	UL 1061 26AWG	Strand wire
(2)	pin	2;4	Phosphor Bronze	Gold-plating over Nickel
(1)	Housing	1	A B S	UL94V0 or 94V2
No.	Part Name	QTY	Material	Remark

PANSTRONG COMPANY LTD.		DRAWN BY		TOMMY	
		CHECKED			
TITLE:		616M Wired Phone Jack		APPROVED	
PART NO:				DRAW NO	
File Number:					
SCALE	/	REV	A	UNIT	mm