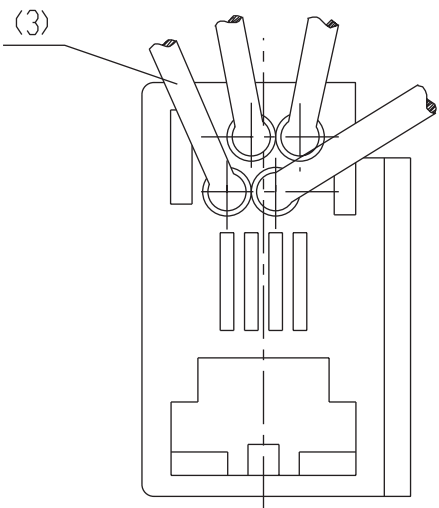
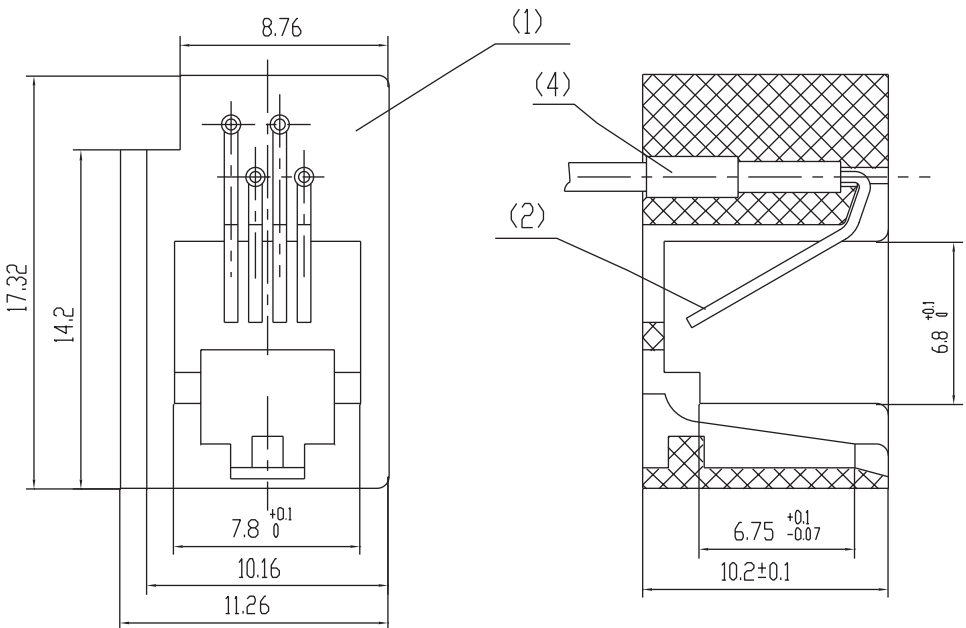


REV	DESCRIPTION	DATE
A	Initial Release	08'.11.26



Specification

1. Insulation Resistance: 1000 Megohms min.
2. Withstand Voltage: 1000V, AC/minute
3. Durability: 600 mating circles min.
4. Tolerances unless otherwise specified: 0~10:±0.1; 10~20:±0.15; 20~30:±0.2
5. Selective Gold-plating: (3;6;15;30;50)micro inch

(4)	Terminal	2;4	Brass	
(3)	wire	2;4	UL 1061 26AWG	Strand wire
(2)	pin	2;4	Phosphor Bronze	Gold-plating over Nickel
(1)	Housing	1	A B S	UL94V0 or 94V2
No.	Part Name	QTY	Material	Remark

<b>PANSTRONG COMPANY LTD.</b>				DRAWN BY		TOMMY	
				CHECKED			
TITLE:		616E WIRED PHONE JACK		APPROVED			
PART NO:				DRAW NO			
File Number:							
SCALE	/	REV	A	UNIT	mm		