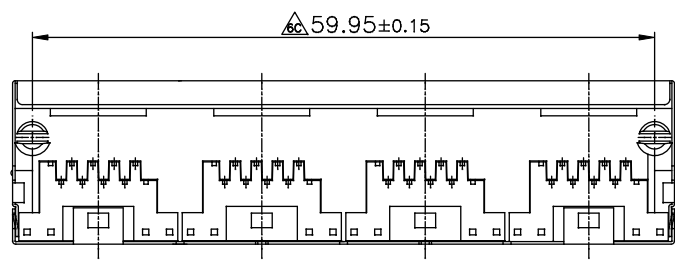
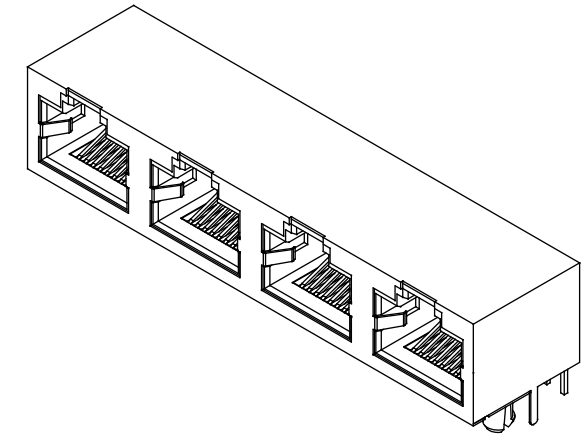
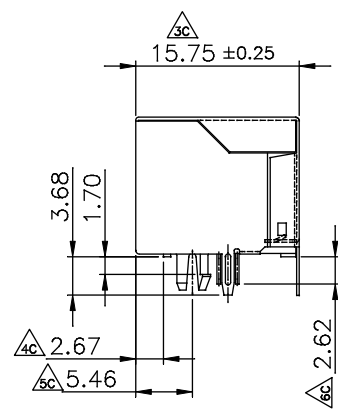
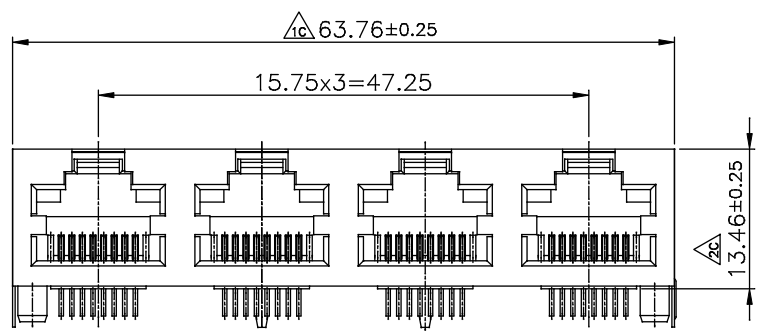
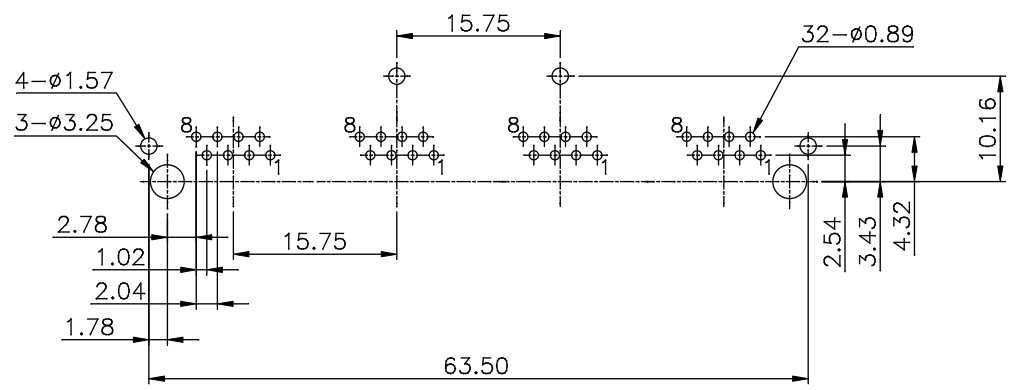


REV	DESCRIPTION	DATE
A	Initial Release	04'.05.10



MATERIALS:
 PLASTIC HOUSING: ENGINEERING THERMOPLASTIC
 FLAMMABILITY RATING UL 94V-0.
 COLOR: BLACK.
 CONTACTS: PHOSPHOR BRONZE
 PLATING: 6u" GOLD PLATING OVER NICKEL IN CONTACT,
 TIN PLATING OVER NICKEL IN SOLDER AREA.
 SHIELD: BRASS PLATING NICKEL ALLOY.

PART NO.
 MJSL3-8801KxxS-4
 Contact Gold Plating:
 06: 6u" Selective Gold
 :
 50: 50u" Selective Gold



P.C.B LAYOUT/TOP VIEW

※ \triangle : Q.C Dimensions

TOLERANCE	
.XXX	±0.10
.XX	±0.25
.X	±0.38
X	±0.50
ANG	±3°

PANSTRONG COMPANY LTD.				DRAWN BY		TOMMY	
				CHECKED			
TITLE:				APPROVED			
PART NO:		MJSL3-8801KxxS-4		DRAW NO			
File Number:							
SCALE	2:1	REV	A	UNIT	mm		