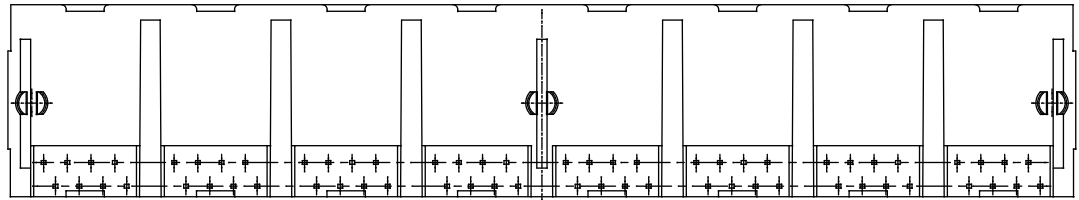
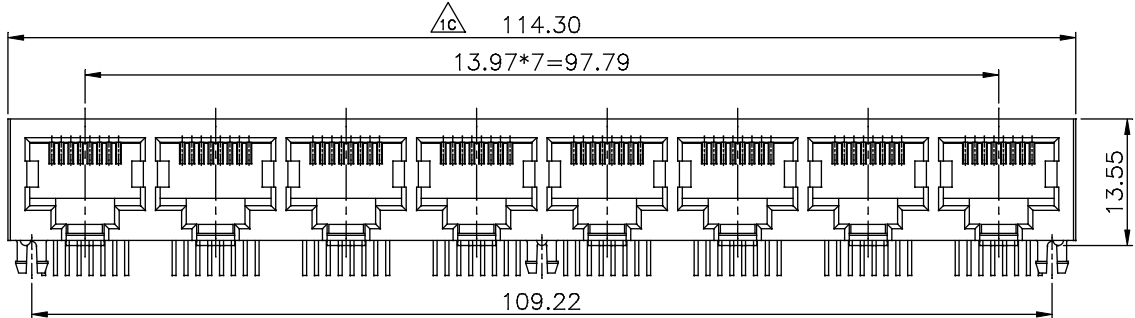
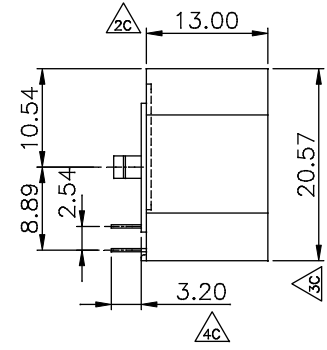
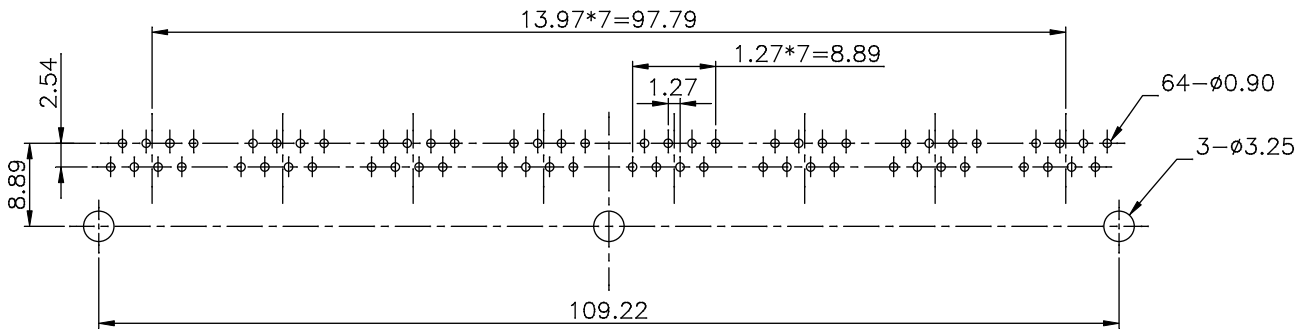


REV	DESCRIPTION	DATE
A	Initial Release	88'.02.03



PCB LAYOUT/TOP VIEW



MATERIALS:
 PLASTIC HOUSING: ENGINEERING THERMOPLASTIC
 FLAMMABILITY RATING UL 94V-0.
 CONTACTS: 0.35mm THICKNESS PHOSPHOR BRONZE
 PLATING: GOLD PLATING OVER NICKEL IN CONTACT.
 TIN PLATING OVER NICKEL IN SOLDER AREA.

PART NO. MJL3-8801K03-8

Contact Gold Plating
 03: 3u"
 :
 50: 50u"

※ △ :Q.C Dimensions

TOLERANCE	
.XXX	±0.10
.XX	±0.25
.X	±0.38
X	±0.50
ANG	±3°

PANSTRONG COMPANY LTD.	DRAWN BY		TOMMY			
	CHECKED					
TITLE:	1x8 PORTS PCB JACK(8P8C)		APPROVED			
PART NO:	MJL3-8801K-8		DRAW NO			
File Number:						
SCALE	1.8:1	REV	A	UNIT	mm	