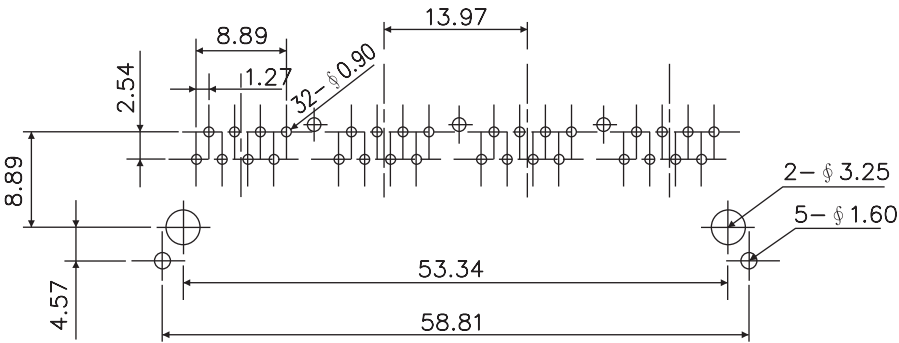
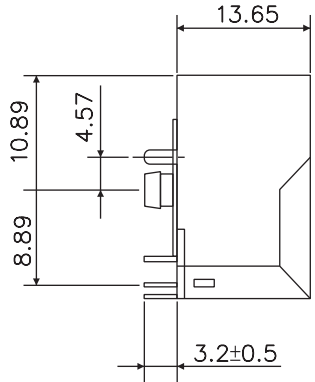
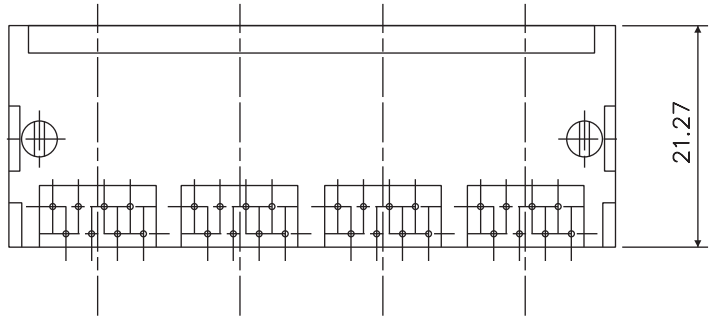
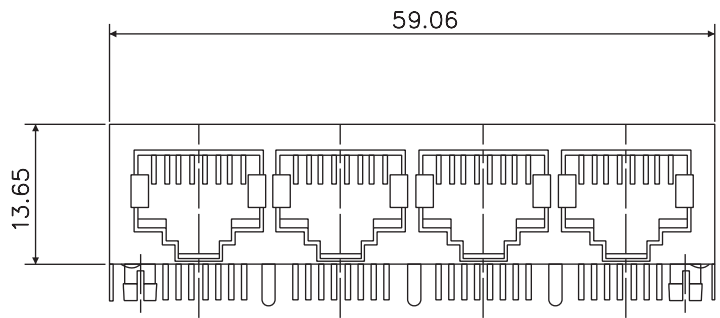


REV	DESCRIPTION	DATE
A	Initial Release	05.11.11



PCB LAYOUT/TOP VIEW


SPECIFICATIONS

MATERIAL:

1. Housing: PBT Polyester UL94V0
2. Color: Black
3. Contacts: 0.45mm Diameter Phro-Bronze Plated With Hard Gold
4. Shield: 0.25mm Thickness Copper Alloy With Tin/Nickel Plated

ELECTRICAL:

1. Current Rating: 1.5 AMP MAX
2. Voltage Rating: 150 VAC MAX
3. Contact Resistance: 20 milliohms MAX, initial
4. Insulation Resistance: 500 Megohms MIN
5. Dielectric Withstanding Voltage: 1000 VAC, 1 min

 PANSTRONG COMPANY LTD.				DRAWN BY		TOMMY	
				CHECKED			
TITLE:		8P Side Entry Shielded Gang Jack (4 Port)				APPROVED	
PART NO:		MJSL3-8801K-4				DRAW NO	
File Number:							
SCALE	/	REV	A	UNIT	mm	