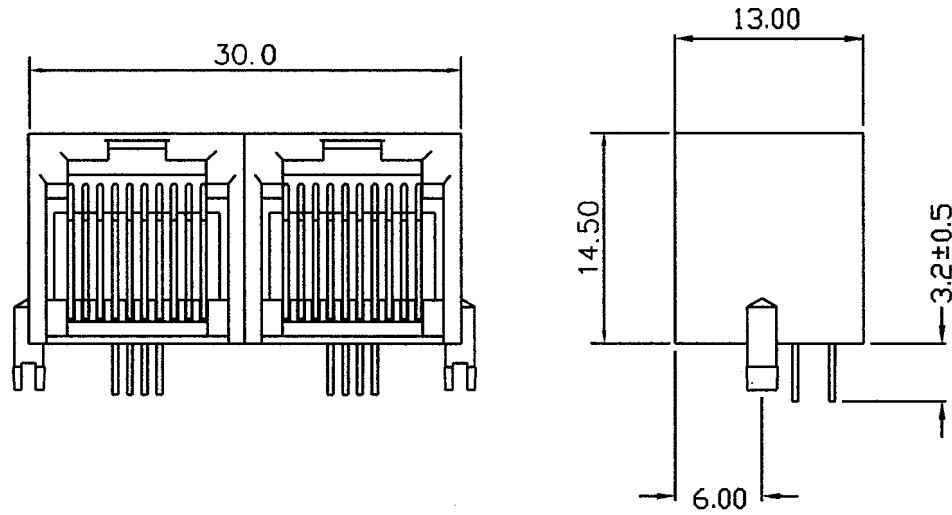


REV	DESCRIPTION	APPROVAL	DEAT
A	新制定		05.11.11



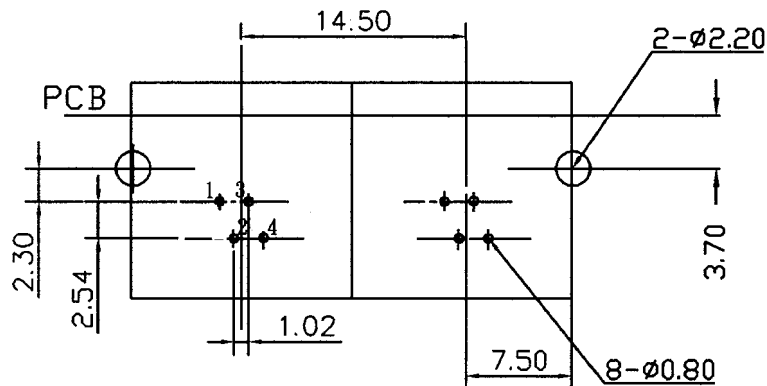
SPECIFICATIONS

MATERIAL:


1. Housing : PBT Polyester UL94V0
2. Color : Black
3. Contacts : 0.45mm Diameter Phos-Bronze Plated With Hard Gold

ELECTRICAL:

1. Current Rating : 1.5 AMP
2. Voltage Rating : 150 VAC
3. Contact Resistance : 20 Milliohms MAX
4. Insulation Resistance : 500 Milliohms MIN
5. Dielectric Withstanding Voltage : 1000 VAC, 1min



PCB LAYOUT/TOP VIEW

 貝強實業有限公司 PANSTRONG COMPANY LTD.	DRAWN BY	TOMMY
	CHECKED	
TITLE:	10P Twin Type Mini L/P Modular Jack	APPROVED
PART NO:	MJL4-8401KXX-2	DRAW NO
DRAW. BOX NO:		
SCALE	Free REV A	UNIT mm
		