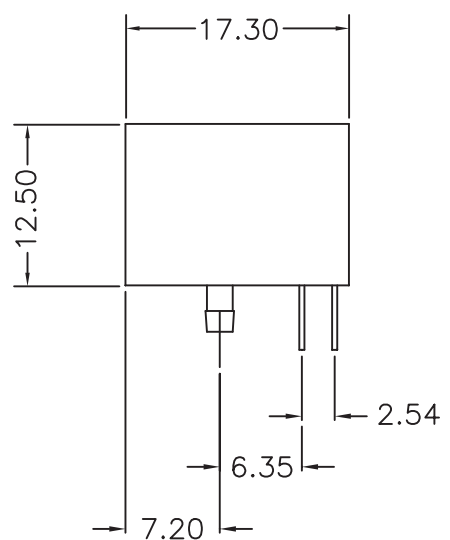
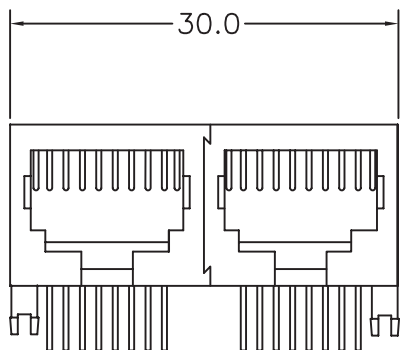


REV	DESCRIPTION	DATE
A	Initial Release	07.10.23



SPECIFICATIONS

MATERIAL:

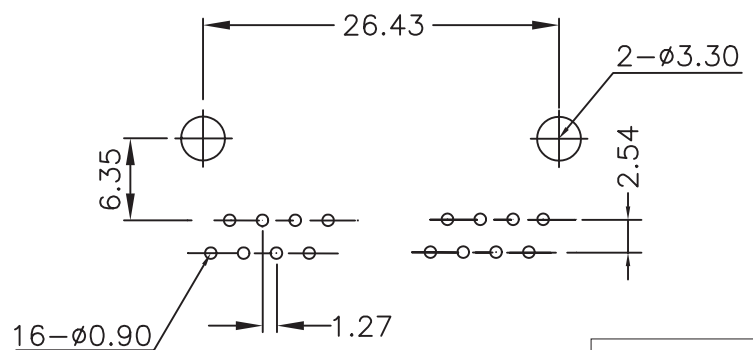
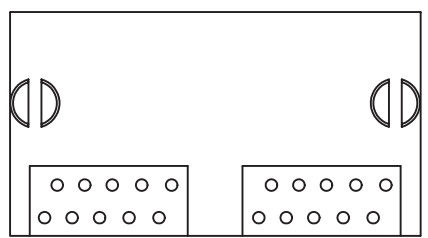
1. Housing : PBT Polyester UL94V0
2. Color : Black
3. Contacts : 0.35mm Thickness Alloy Selective Gold Plating

ELECTRICAL:

1. Current Rating : 1.5 AMP MAX
2. Voltage Rating : 150 VAC MAX
3. Contact Resistance : 30 milliohms MAX, initial
4. Insulation Resistance : 500 Megohms MIN
5. Dielectric Withstanding Voltage : 1000 VAC, 1min

PART NO. MJL2-8801K xx -2

Gold Plating of Contacts
 06: 6u" Gold
 30: 30u" Gold



PCB LAYOUT/TOP VIEW

TOLERANCE
.X ±0.3
.XX ±0.20

PANSTRONG COMPANY LTD.				DRAWN BY		TOMMY	
				CHECKED			
TITLE:		Twin Type Side Entry Modular Jack				APPROVED	
PART NO:		MJL2-8801Kxx-2				DRAW NO	
File Number:							
SCALE	Free	REV	A	UNIT	mm		