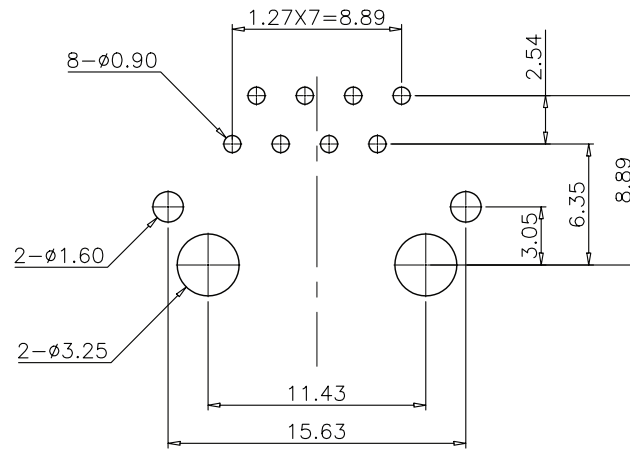
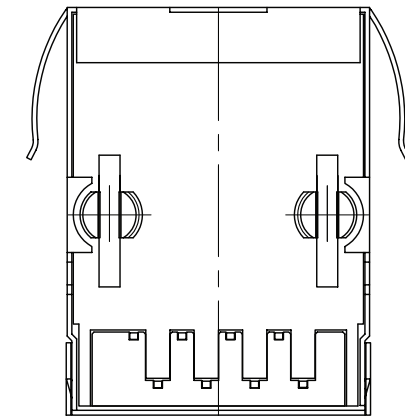


REV	DESCRIPTION	APPROVAL	DATE
A	新制定		07.06.07

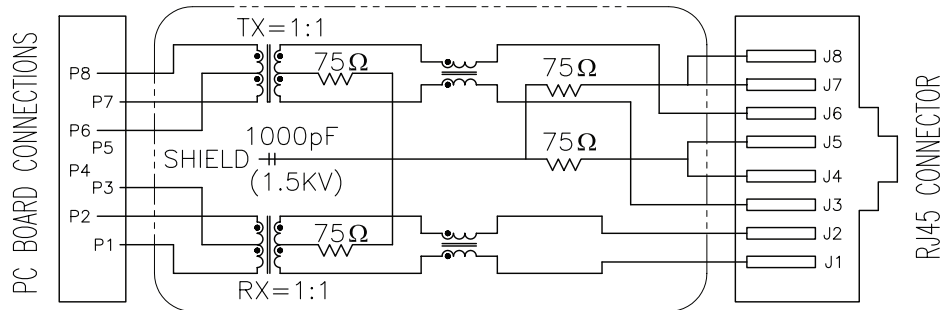
MATERIALS:
 PLASTIC HOUSING:HIGH TEMP. THERMOPLASTIC
 FLAMMABILITY RATING UL 94V-0.
 CONTACTS:PHOSPHOR BRONZE
 PLATING:GOLD PLATING OVER NICKEL IN CONTACT.
 TIN PLATING OVER NICKEL IN SOLDER AREA.
 SHIELD:BRASS PLATING NICKEL ALLOY.



Part No. MJSFL-01K xx -T5 A

Circuit Type

Contact Gold Plating
 06 : 6u" Gold
 30 : 30u" Gold



Circuit A

貝強實業有限公司 PANSTRONG COMPANY LTD.	DRAWN BY		TOMMY			
	CHECKED					
TITLE:	10/100 Base T RJ45		APPROVED			
PART NO.:	MJSFL-01KT5A		DRAW NO			
DRAW. BOX NO.:						
SCALE	2.5:1	REV	A	UNIT	mm	