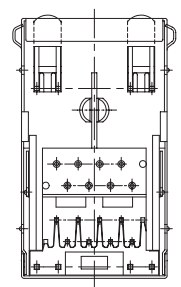
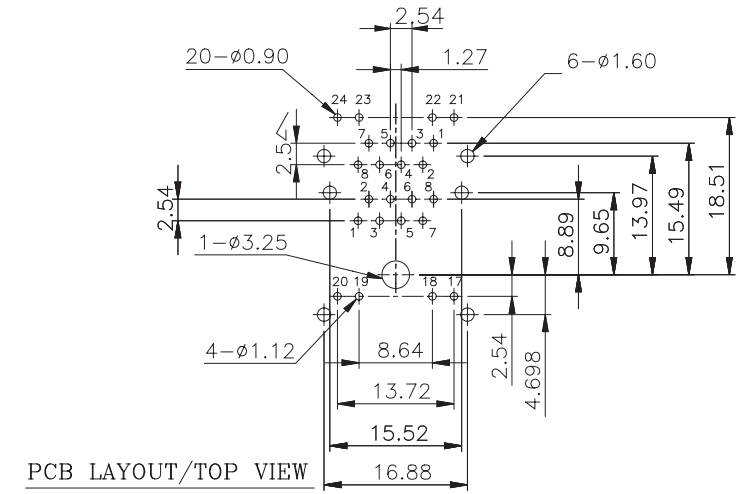
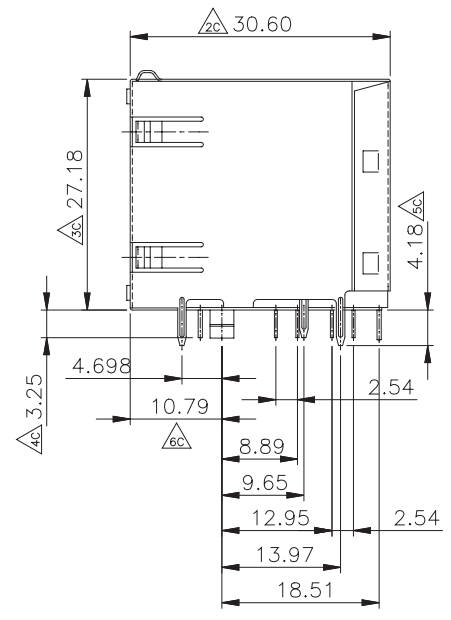
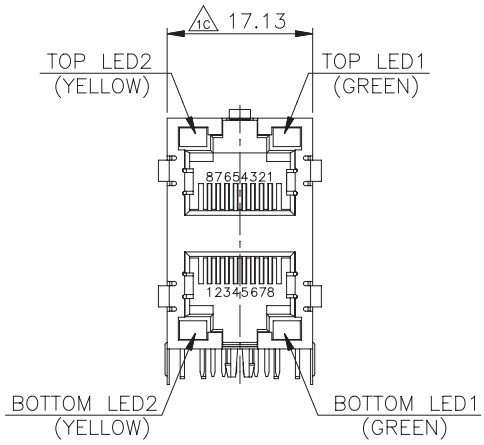
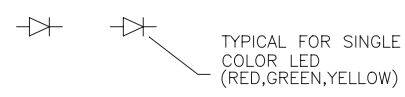
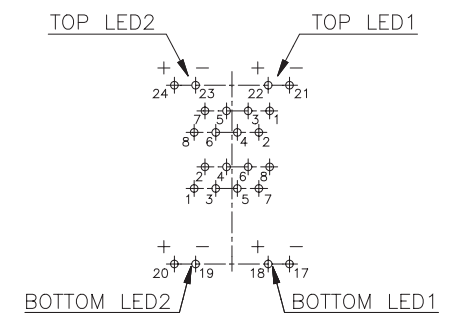
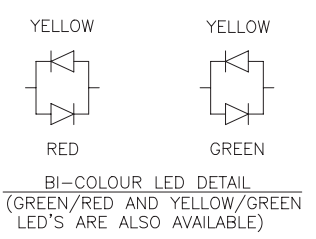


REV	DESCRIPTION	DATE
A	Initial Release	07.04.24



MATERIALS:
 PLASTIC HOUSING : ENGINEERING THERMOPLASTIC
 FLAMMABILITY RATING UL 94V-0.
 CONTACTS: 0.46mm DIAMETER ALLOY C5102, GOLD PLATING OVER NICKEL.
 SHIELD: VRASS PLATING NICKEL ALLOY.

PART NO : MJSDGY01K**-2x1T4
 LED Color(1,2) — Gold plating on the contacts
 G : Green 03 : 3u" Gold
 Y : Yellow 50 : 50u" Gold
 R : Red



RoHS COMPLIANT

.XXX	±0.25
.XX	0.8
.X	
X	
ANG	±3°

PANSTRONG COMPANY LTD.		DRAWN BY	TOMMY
		CHECKED	
TITLE:	RJ45(LED) STACKED GANGED JACK, 2x1	APPROVED	
PART NO:	MJSD-2x1 PORT (T4)	DRAW NO	
File Number:		UNIT	mm
SCALE	/	REV	A