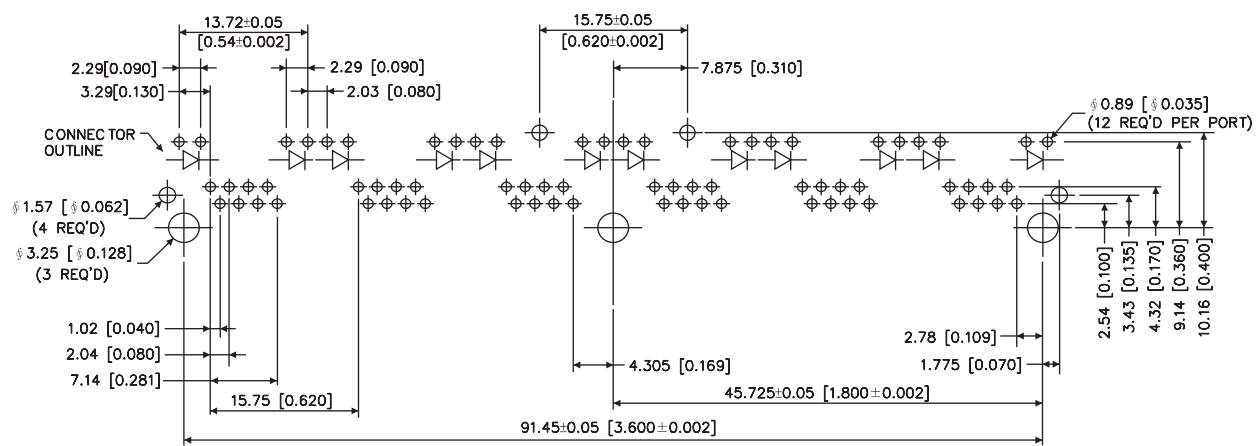
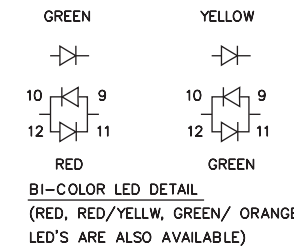
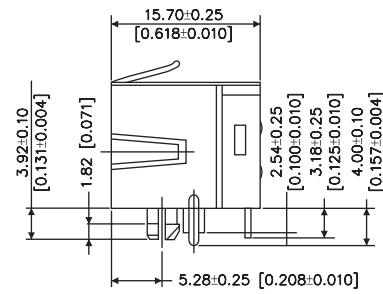
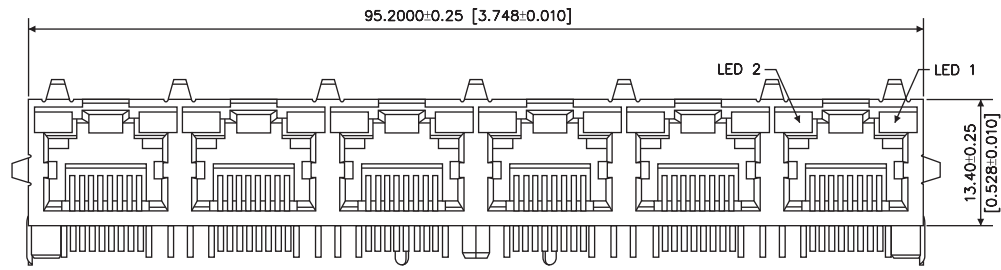
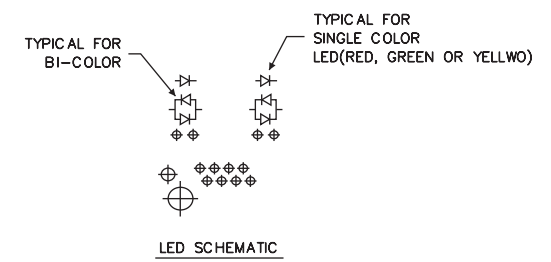


REV	DESCRIPTION	DATE
A	Initial Release	05'.11.07



SUGGESTED PCB LAYOUT



LED Color Options Table

LED Color Options		LED DASH OP.
Position 2(Left)	Position 1(Right)	
No LED	No LED	0
Yellow	Green	1
No LED	Green	2
Yellow	No LED	3
Green	Yellow	4
Green	Green	5
Yellow	Yellow	6
Orange/Green	Orange/Green	7
Yellow/Green	Yellow/Green	8
Orange/Green	Yellow	9

1. MATERIALS:  
Housing: PBT Polyester, BLACK, UL 94V-0  
CONTACTS: 0.014 INCHES (0.35 MINIMETERS) THICK PHOSPHOR BRONZE PLATED WITH 150 MICROINCHES(3.81 MICROMETERS) MINIMUM THICK TIN LEAD IN SOLDER AREA. 15 MICROINCHES (0.38 MICROMETERS) MINIMUM GOLD IN LOCALIZED PLATE AREA. ENTIRE CONTACTS PLATED WITH 50 MICROINCHES (1.27 MICROMETERS) MINIMUM THICK NICKEL. SHIELDED: 0.0098 INCHES(0.25 MINIMETERS) THICK COPPER ZINC ALLOY PLATED WITH 30 MICROINCHES (0.762 MICROMETERS) MINIMUM THICK INCKEL.
2. JACK CAVITY CONFDRMS TO FCC RULES AND REGULATIONS PART 68, SUBPART F

UNLESS OTHERWISE SPECIFIED  
UNSPECIFIED TOLERANCE  
.xx±0.010[0.25]  
.xx±0.005[0.15]

PANSTRONG COMPANY LTD.				DRAWN BY		TOMMY	
				CHECKED			
TITLE: RJ45 Connectors, 8P8C Shielded Thru-Hole				APPROVED			
PART NO: MJSDX01K-6				DRAW NO			
File Number:				UNIT		mm	
SCALE		/	REV	A			