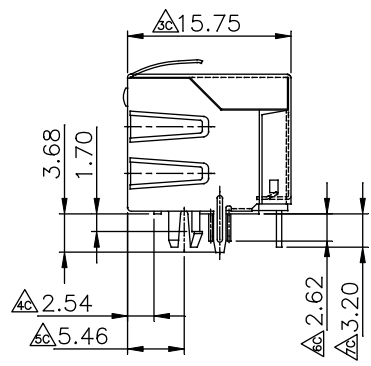
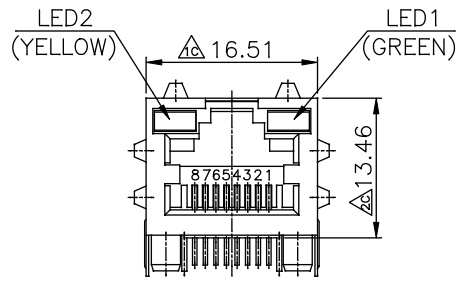


REV	DESCRIPTION	DATE
A	Initial Release	12'.06.11

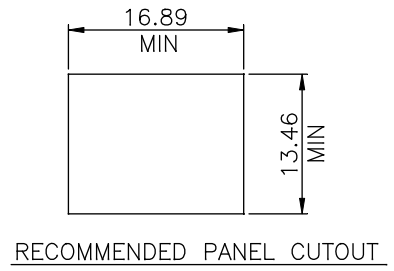
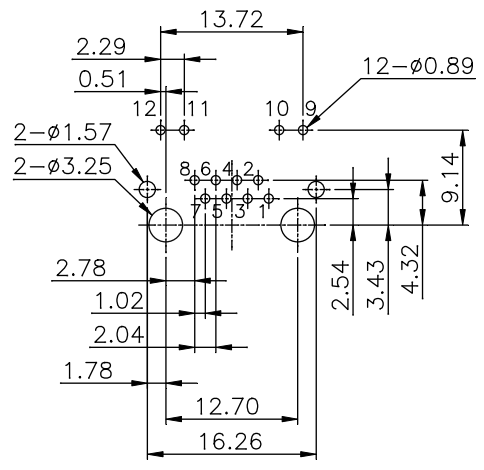
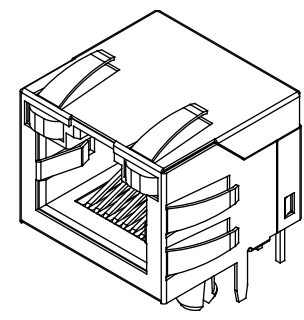
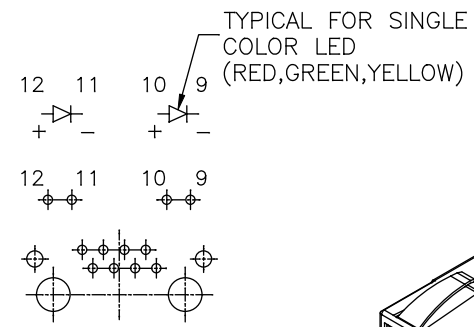
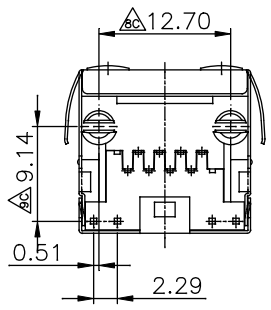


**MATERIALS:**  
 PLASTIC HOUSING:ENGINEERING THERMOPLASTIC  
 FLAMMBILITY RATING UL 94V-0.  
 CONTACTS:PHOSPHOR BRONZE  
 PLATING:GOLD PLATING OVER NICKEL IN CONTACT.  
 TIN PLATING OVER NICKEL IN SLODER AREA.  
 SHIELD:BRASS PLATING NICKEL ALLOY.

**ELECTRICAL:**  
 CURRENT RATING:1.5AMPERES MAX. @ 25°C.  
 VOLTAGE RATING:150 VAC MAX.  
 VOLTAGE:60 VDC.  
 DIELECTRIC WITHSTANDING VOLTAGE:  
 1000VAC, RMS, 60Hz, 1MIN.  
 INSULATION RESISTANCE:500 MEGOHMS MIN.  
 OPERATE TEMPERATURE:0°C TO 70°C.  
 STORAGE TEMPERATURE:-40°C TO 80°C.

PART NO. MJSD-GY 01 K\*\*-T5

Right (LED1) Color      Contact Plating  
 Left (LED2) Color      06: 6u" Selective Gold  
 Color Code:                   :  
 G:Green Y:Yellow R:Red      50: 50u" Selective Gold  
 B1: Bi-Color Green/Yellow  
 B2: Bi-Color Green/Red



\*△: Q.C. Dimensions

TOLERANCE	
.XXX	±0.10
.XX	±0.25
.X	±0.38
X	±0.50
ANG	±3°

RoHS COMPLIANT

	PANSTRONG COMPANY LTD.		DRAWN BY	TOMMY
			CHECKED	
TITLE:		8P8C JACK W/LED (Y-G)		APPROVED
PART NO:		MJSD-GY01KXX-T5		DRAWING NO. 3046105607
SCALE	2:1	REV	A	UNIT mm