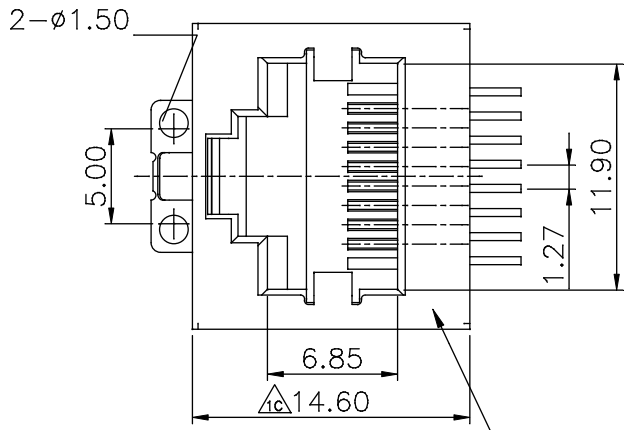


REV	DESCRIPTION	DATE
A	Initial Release	99'.11.26



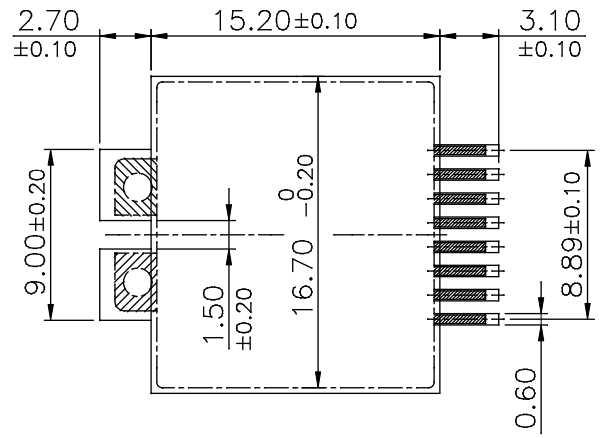
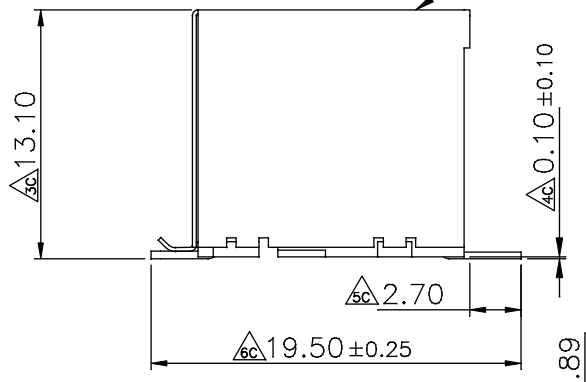
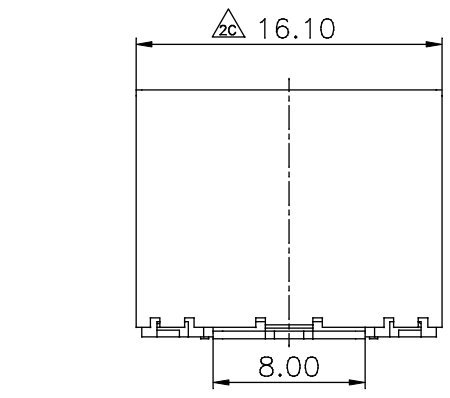
MATERIALS:
 PLASTIC HOUSING: HIGH TEMP. THERMOPLASTIC
 FLAMMABILITY RATING UL 94V-0.
 CONTACTS: PHOSPHOR BRONZE
 PLATING: GOLD PLATING OVER NICKEL IN CONTACT.
 TIN PLATING OVER NICKEL IN SOLDER AREA.
 SHIELDED: BRASS WITH NICKEL PLATED
 TAPE: SILICONE ADHESIVE.

※ \triangle : Q.C. Dimensions

PART NO: MJS880302KxxMS2R

Contact Gold Plating:
 06: 6u"
 30: 30u"
 50: 50u"

RoHS COMPLIANT



PCB LAYOUT/TOP VIEW

TOLERANCE	
.XXX	±0.10
.XX	±0.25
.X	±0.38
X	±0.50
ANG	±3°

PANSTRONG COMPANY LTD.				DRAWN BY		TOMMY				
				CHECKED						
TITLE:		TOP ENTRY SMT JACK SHIELD(8P8C)				APPROVED				
PART NO:		MJS880302K30MS2R				DRAW NO				
File Number:										
SCALE		/		REV	A		UNIT	mm		