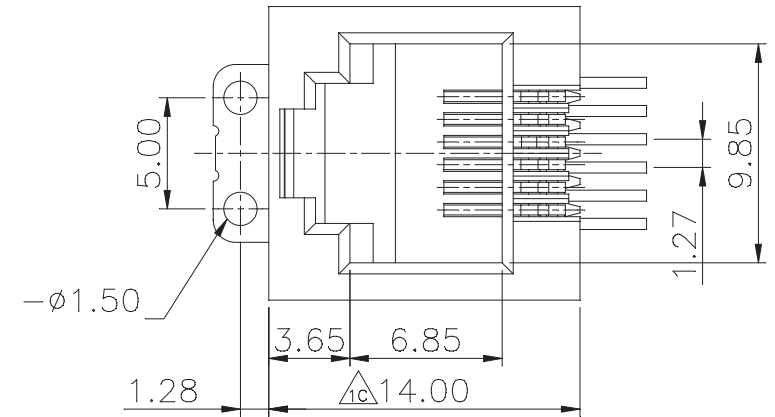
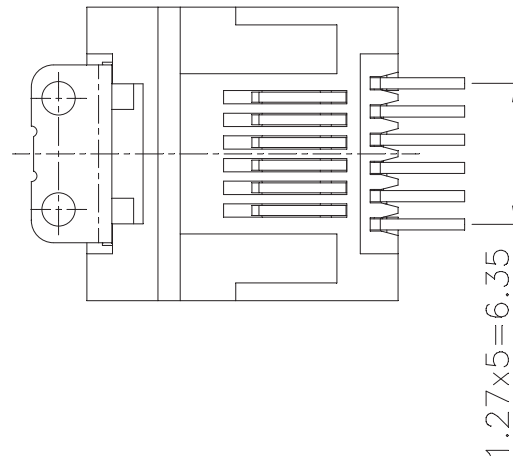
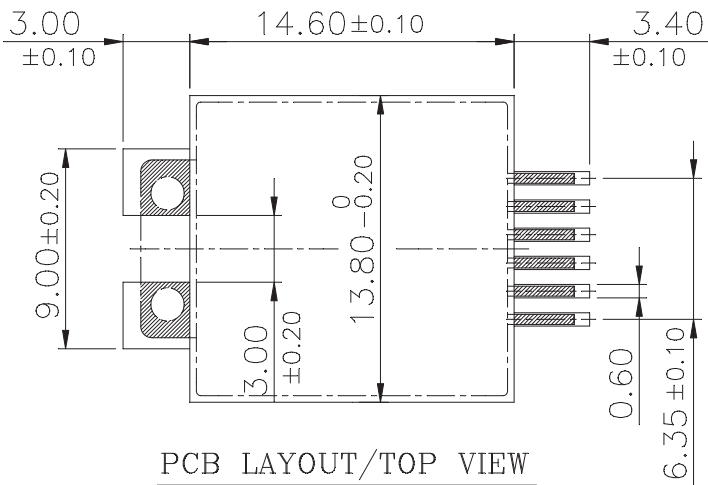
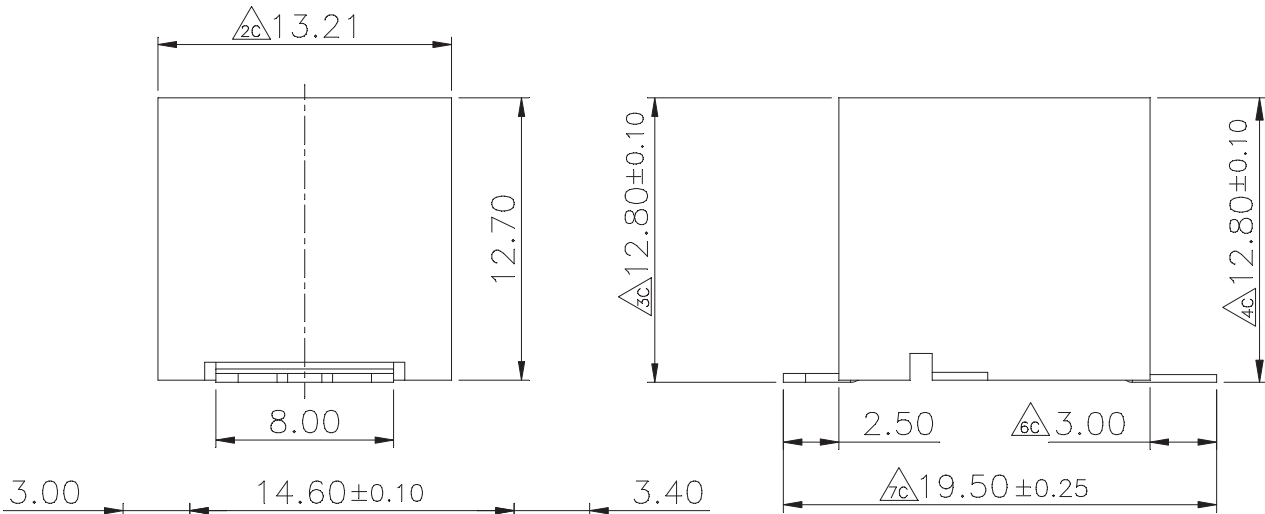


REV	DESCRIPTION	DATE
A	Initial Release	04.01.29



MATERIALS  
 PLASTIC HOUSING: HIGH TEMP. THERMOPLASTIC  
 CONTACTS: PHOSPHOR BRONZE  
 PLATING: GOLD PLATING OVER NICKEL IN CONTACT.  
 TIN PLATING OVER NICKEL IN SOLEER AREA

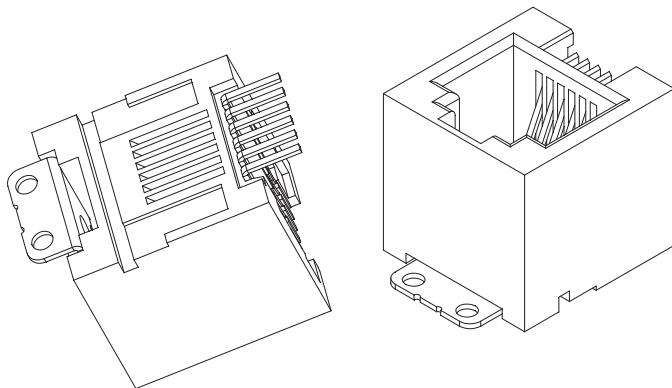
PART NO.

MJ660302Kxx-MSR

Contact Gold Plating  
 06: 6u"  
 15: 15u"  
 50: 50u"

Pack:  
 R: Tape & Reel

※  $\triangle$ : Q.C. Dimensions



	TOLERANCE
.XXX	±0.10
.XX	±0.25
.X	±0.38
X	±0.50
ANG	±3°

<b>PANSTRONG COMPANY LTD.</b>				DRAWN BY		TOMMY	
				CHECKED			
TITLE:		TOP ENTRY SMT JACK(6P6C)				APPROVED	
PART NO:		MJ660302K-MS				DRAW NO	
File Number:							
SCALE	3:1	REV	A	UNIT	mm		