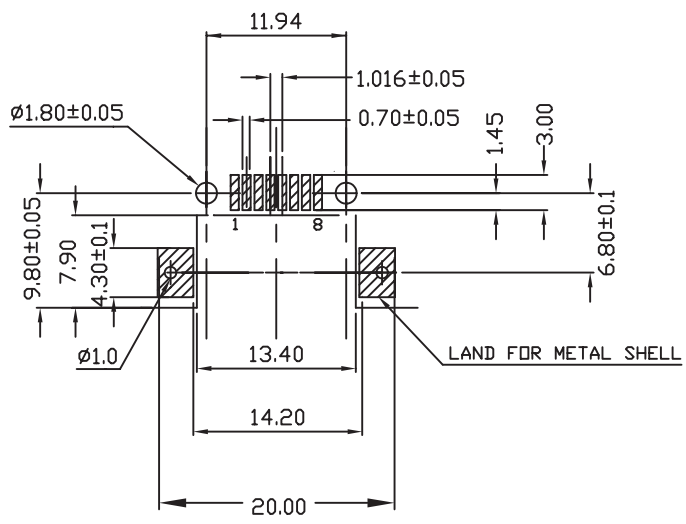
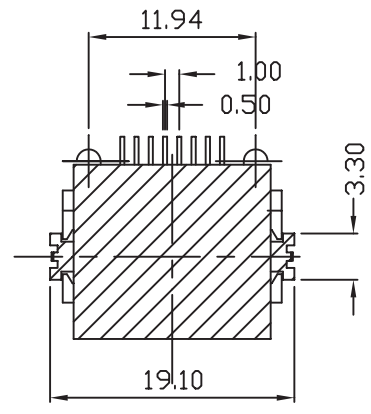
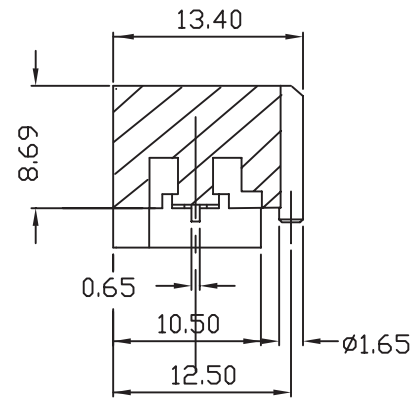
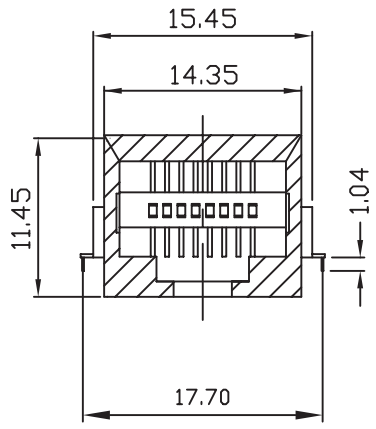


REV	DESCRIPTION	DATE
A	Initial Release	06.11.02



PCB LAYOUT

SPECIFICATIONS

MATERIAL:

1. Housing : PPS. Polyester UL94V0
2. Color : Black
3. Contacts : Selective Gold Plating
4. Shield : 0.20mm Thickness C2680 Alloy With Au and Nickel Plated

ELECTRICAL:

1. Current Rating : 1.5 AMP MAX
2. Voltage Rating : 150 VAC MAX
3. Contact Resistance : 30 milliohms MAX, initial
4. Insulation Resistance : 500 Megohms MIN
5. Dielectric Withstanding Voltage : 1000 VAC, 1min

PART NO. MJSH880301K**

- Contact Gold Plating
- 06 : 6u" Gold
- : 50 : 50u" Gold

PANSTRONG COMPANY LTD.				DRAWN BY		TOMMY	
				CHECKED			
TITLE:		RJ45 8P Shielded Modular Jack(SMT)				APPROVED	
PART NO:		MJSH880301K**				DRAW NO	
DRAW. BOX NO:							
SCALE	Free	REV	A	UNIT	mm		

.X	±0.3
.XX	±0.20