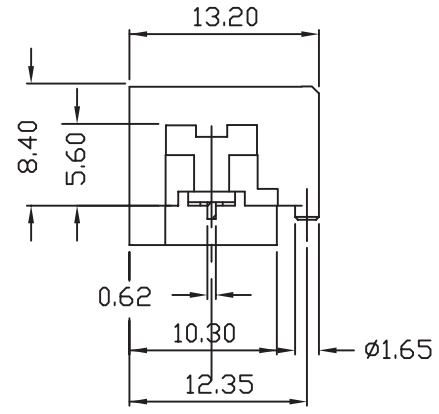
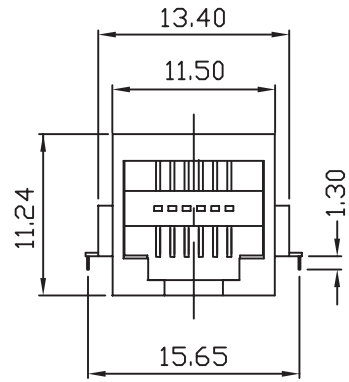


REV	DESCRIPTION	DATE
A	Initial Release	06.11.02



SPECIFICATIONS

MATERIAL:

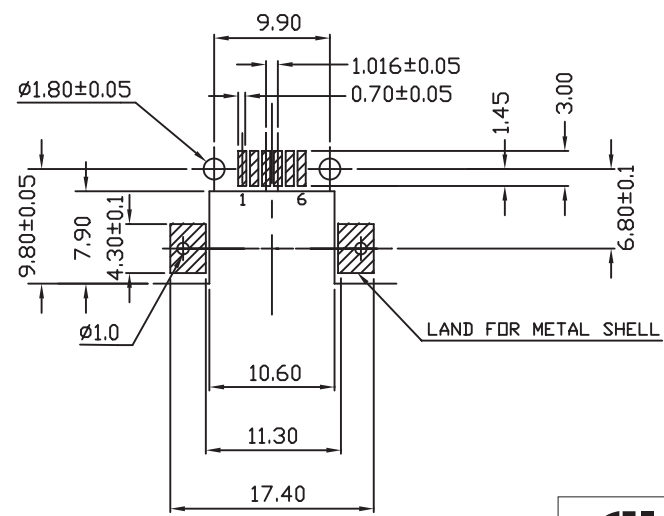
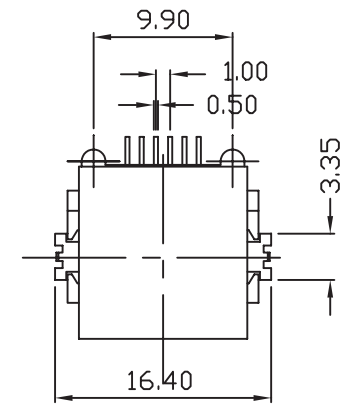
1. Housing : PPS. Polyester UL94V0
2. Color : Black
3. Contacts : Selective Gold Plating

ELECTRICAL:

1. Current Rating : 1.5 AMP MAX
2. Voltage Rating : 150 VAC MAX
3. Contact Resistance : 30 milliohms MAX, initial
4. Insulation Resistance : 500 Megohms MIN
5. Dielectric Withstanding Voltage : 1000 VAC, 1min

PART NO. MJH660301K**

- Contact Gold Plating
- 06 : 6u" Gold
- ...
- 50 : 50u" Gold



PCB LAYOUT

TOLERANCE	
.X	±0.3
.XX	±0.20

PANSTRONG COMPANY LTD.	DRAWN BY	TOMMY
	CHECKED	
TITLE:	RJ11 6P Modular Jack(SMT)	
PART NO:	MJH660301K**	
DRAW. BOX NO:		
SCALE	Free	REV A
UNIT	mm	