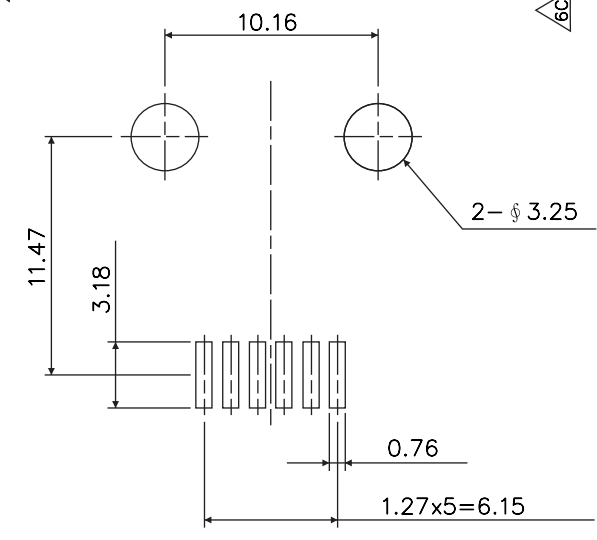
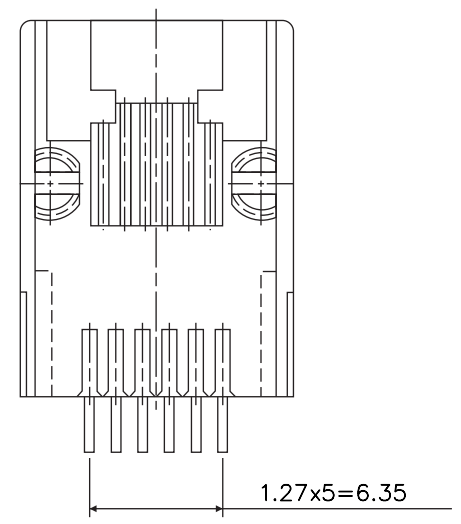
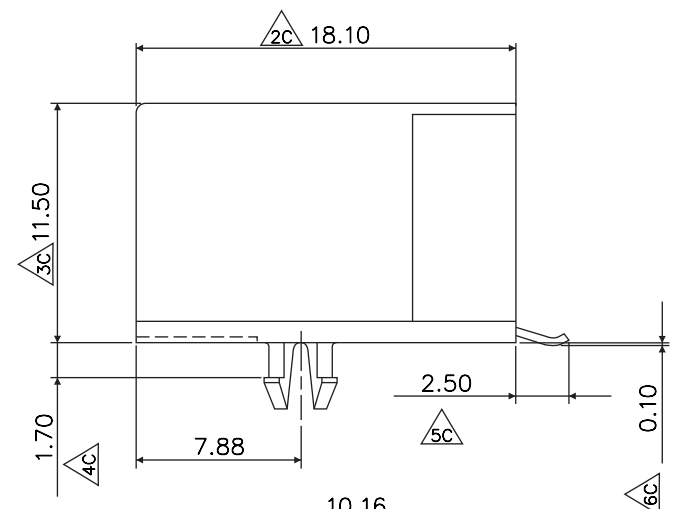
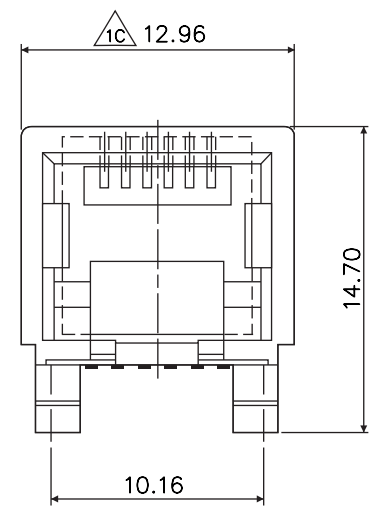


REV	DESCRIPTION	DATE
A	Initial Release	05.11.07

MATERIALS:
 PLASTIC HOUSING: HIGH TEMP. THERMOPLASTIC
 FLAMBILITY RATING UL 94V-0.
 CONTACTS: PHOSPHOR BRONZE
 PLATING : GOLD PLATING OVER NICKEL IN CONTACT.
 TIN PLATING OVER NICKEL IN SOLDER AREA.

PART NO.
 MJ660301Kxx
 Contact Gold Plating:
 06: 6u" Selective Gold
 :
 50: 50u" Selective Gold

* $\triangle C$: Q.C. Dimensions



PCB LAYOUT/TOP VIEW

PANSTRONG COMPANY LTD.				DRAWN BY		TOMMY	
				CHECKED			
TITLE:		R12 SURFACE MOUNT 6P6C SMT JACK				APPROVED	
PART NO:		MJ660301K				DRAW NO	
File Number:						UNIT	
SCALE		/	REV	A	mm		