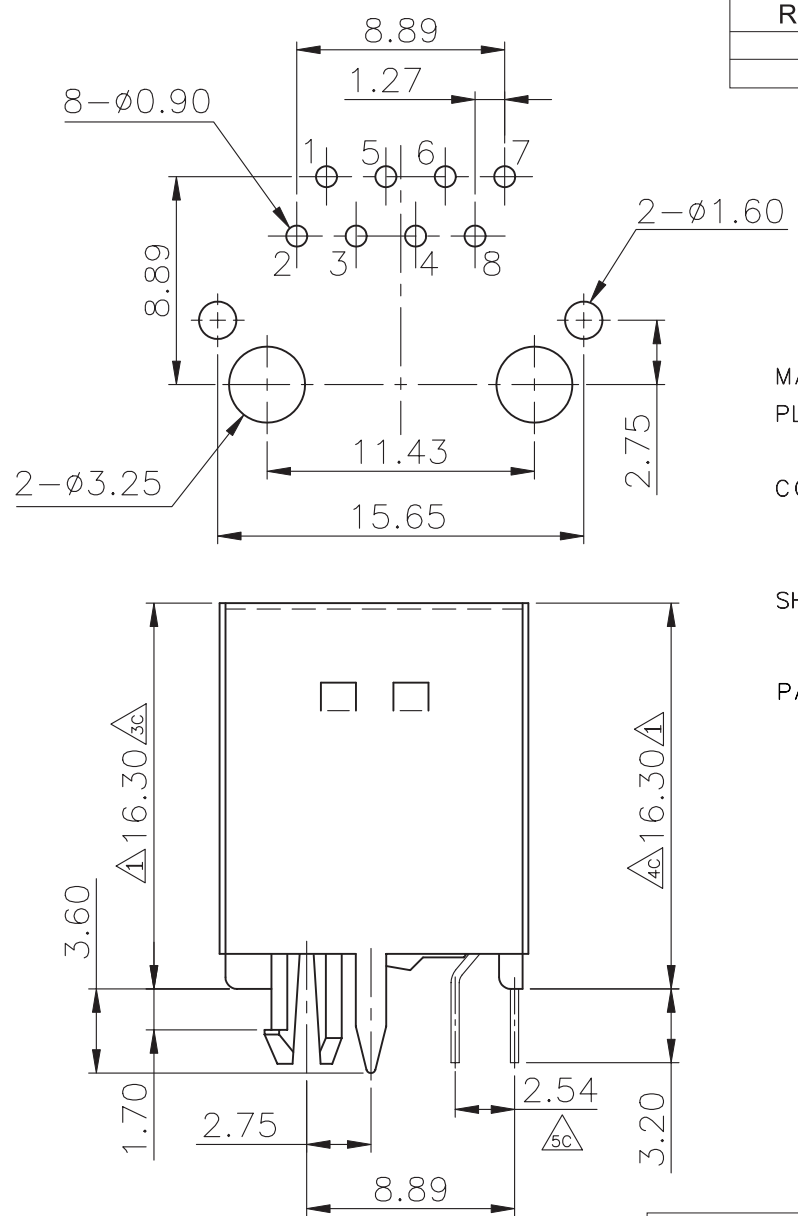
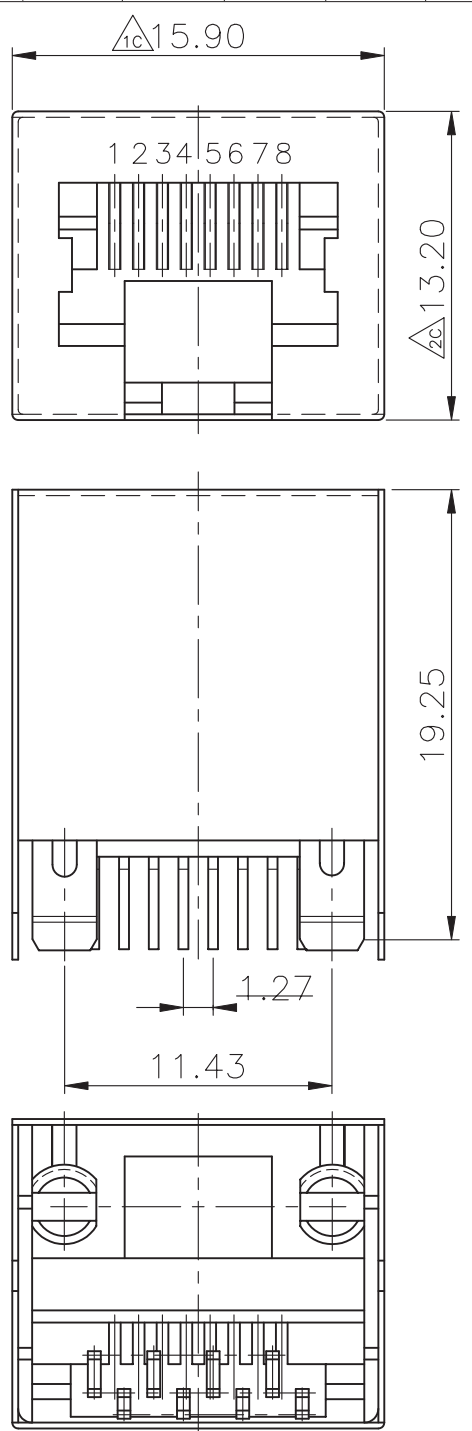


REV	DESCRIPTION	APPROVAL	DATE
A	新制定		06.11.01



MATERIALS:
 PLASTIC HOUSING:ENGINEERING THERMOPLASTIC
 FLAMMBILITY RATING UL 94V-0.
 CONTACTS:PHOSPHOR BRONZE
 PLATING:GOLD PLATING OVER NICKEL IN CONTACT.
 TIN PLATING OVER NICKEL IN SOLDER AREA.
 SHIELD:BRASS PLATING NICKEL ALLOY.

PART NO. MJSC50102K**
 Contact Gold Plating
 06 : 6u" Gold
 :
 50 : 50u" Gold

TOLERANCE	
.XXXX	----
.XXX	±0.15
.XX	±0.25
.X	±0.38

貝強實業有限公司 PANSTRONG COMPANY LTD.	DRAWN BY		TOMMY	
	CHECKED			
TITLE:	TOP ENTRY PCB JACK SHIELDED(P.C.B T=1.6mm)			
PART NO:	MJSC50102K			
DRAW. BOX NO:				
SCALE	3:1	REV	A	DRAW NO
UNIT	mm			