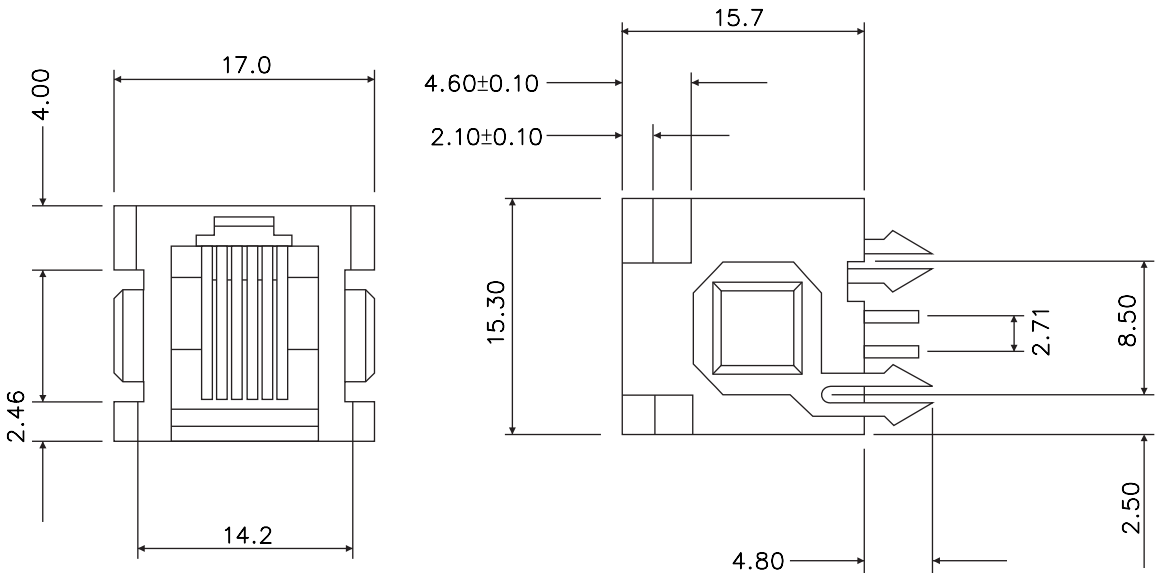
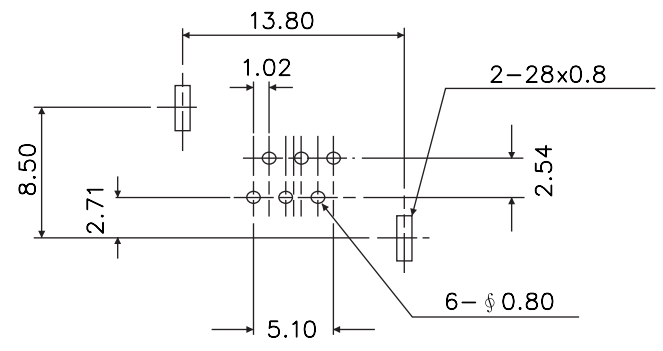


REV	DESCRIPTION	DATE
A	Initial Release	05'.11.08



MATERIAL: HOUSING: PBT POLYESTER UL94V-0
 COLOR: BLACK/GRAY
 CONTACTS: 0.45mm DIAMETER
 PHOS-BRONZE PLATED WITH HARD GOLD

PART NO. MJH-6x0102GxxB
 Contact Gold Plating
 06: 6u" Gold
 :
 50: 50u" Gold



PCB LAYOUT/TOP VIEW

TOLERANCE	
.X	±0.3
.XX	±0.20

PANSTRONG COMPANY LTD.	DRAWN BY	TOMMY
	CHECKED	
TITLE:	Top Entry Modular Jack 180° (Metal Pegs)	
PART NO:	MJH-6x0102GxxB	
File Number:		
SCALE	/	REV A
UNIT	mm	