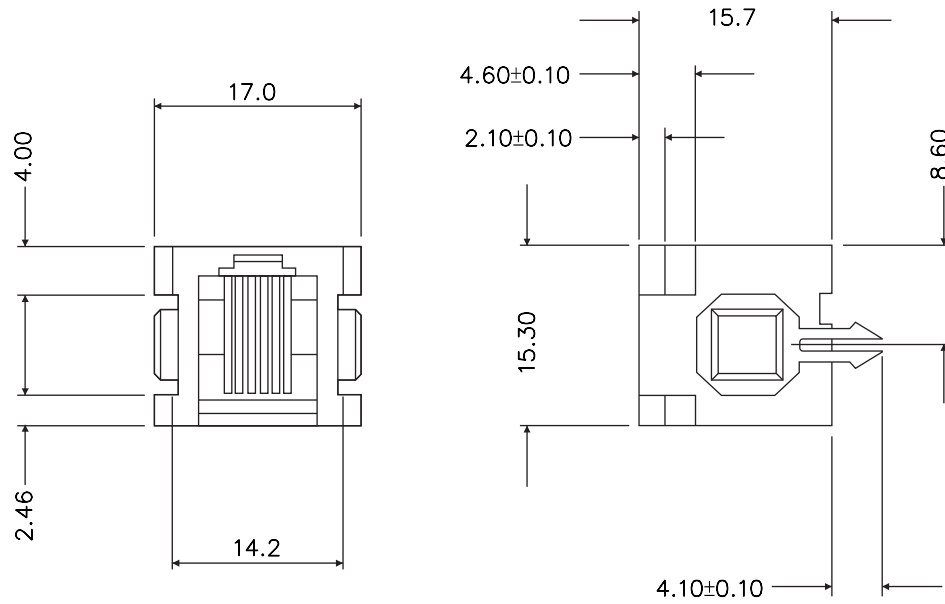


REV	DESCRIPTION	DATE
A	Initial Release	05.11.08



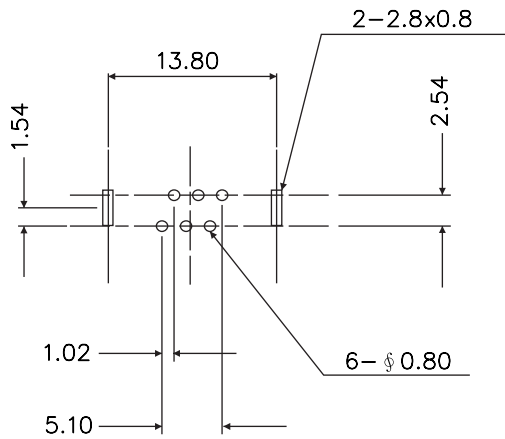
SPECIFICATIONS

MATERIAL:


1. Housing: PBT Polyester UL94V0
2. Color: Gray
3. Contacts: 0.45mm Diameter Phos-Bronze Plated With Hard Gold

ELECTRICAL:

1. Current Rating: 1.5 AMP MAX
2. Voltage Rating: 150 VAC MAX
3. Contact Resistance: 20 millions MAX, initial
4. Insulation Resistance: 500 Megohms MIN
5. Dielectric Withstanding Voltage: 1000 VAC, 1 min



PCB LAYOUT/TOP VIEW

 PANSTRONG COMPANY LTD.		DRAWN BY	TOMMY
		CHECKED	
TITLE:	Top Entry Modular Jack 180° (Metal Pegs)		APPROVED
PART NO:	MJH-660102G06		DRAW NO
File Number:			UNIT
SCALE	/	REV	A
			mm
			