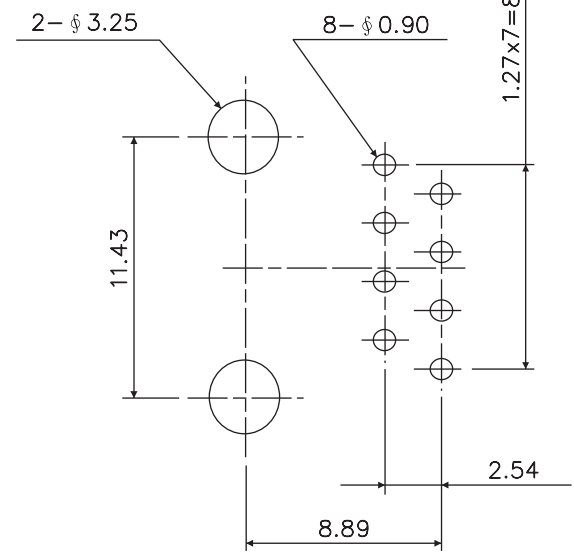
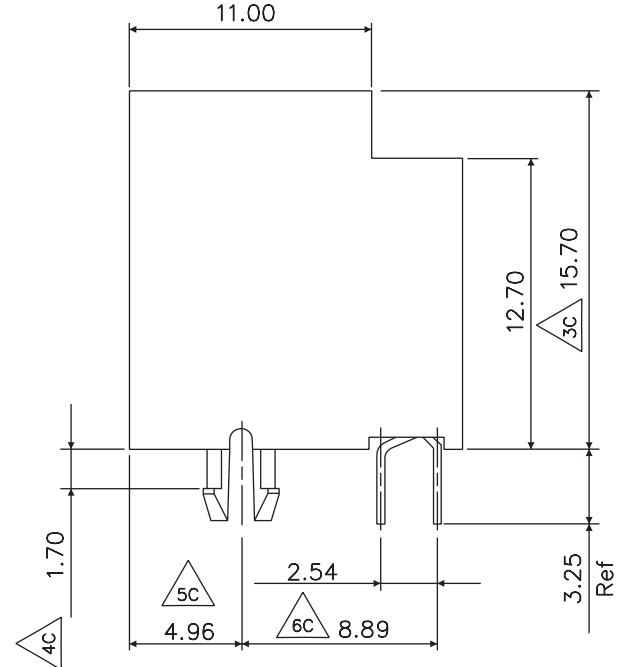
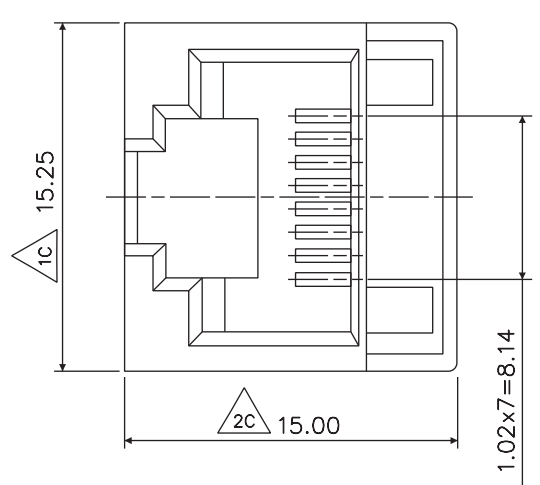
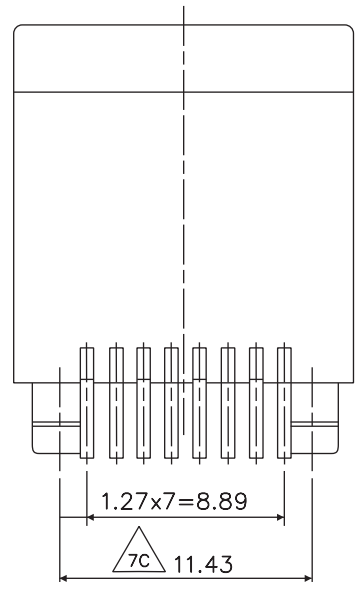


REV	DESCRIPTION	DATE
A	Initial Release	05'.11.11



PCB LAYOUT/TOP VIEW



MATERIAL:  
HOUSING: PBT+30% GOLASS-FIBER UL94V-0  
STANDARD COLOR BLACK

INSERT: PBT+30% GLASS FIBER UL94-V0  
BLACK

CONTACT: 0.35mm THICKNESS ALLOY  
GOLD OVER NICKEL PLATING IN  
CONTACT AREA  
TIN OVER NICKEL PLATING IN  
SOLDER AREA

PART NO.

MJ C - 8 8 01 02 K 06

Panel Cutout ————  
No. of Pos. ————  
No. of Contact ————  
Thru-Hole ————

Gold Plating of Contact  
6u", 15u", 30u", 50u"  
K: Black  
Tope Entry

※ C : Q.C. Dimensions

<b>PANSTRONG COMPANY LTD.</b>				DRAWN BY		TOMMY	
				CHECKED			
TITLE:		MODULAR JACK 8/8 TOP ENTRY, PANEL CUTOUT				APPROVED	
PART NO:		MJC-880102K				DRAW NO	
File Number:							
SCALE	/	REV	A	UNIT	mm		