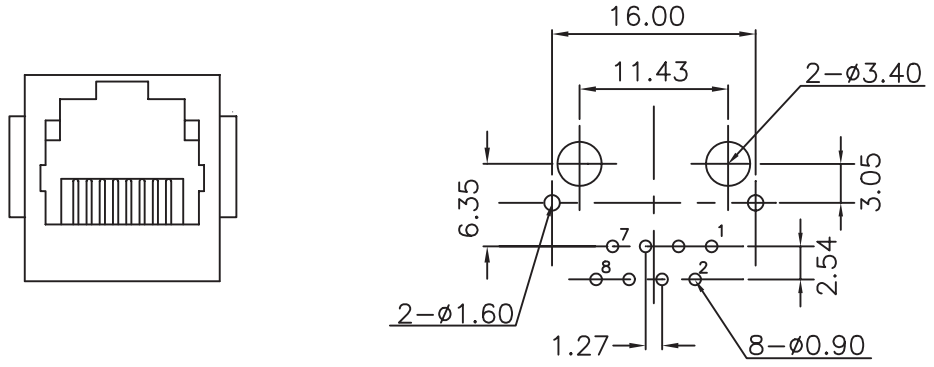
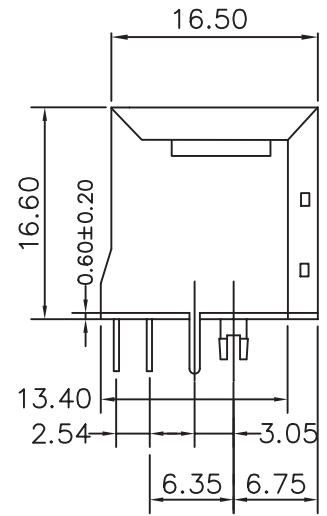
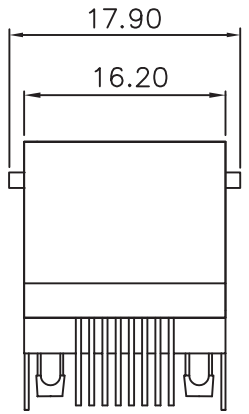


REV	DESCRIPTION	DATE
A	Initial Release	03.07.28



PCB LAYOUT/TOP VIEW



SPECIFICATIONS

MATERIAL:

1. Housing : PBT Polyester UL94V0
2. Color : Black
3. Contacts : 0.35mm Thickness Alloy Selective Gold Plating
4. Shield : 0.25mm Thickness Copper Alloy With Nickel Plated

ELECTRICAL:

1. Current Rating : 1.5 AMP MAX
2. Voltage Rating : 150 VAC MAX
3. Contact Resistance : 30 milliohms MAX, initial
4. Insulation Resistance : 500 Megohms MIN
5. Dielectric Withstanding Voltage : 1000 VAC, 1min

PART NO. MJSE880102K06

Contact Gold Plating
 06: 6u" Gold
 :
 50: 50u" Gold

TOLERANCE	
.X	±0.3
.XX	±0.20

PANSTRONG COMPANY LTD.				DRAWN BY		TOMMY	
				CHECKED			
TITLE:		Top Entry Shielded Modular Jack 180°				APPROVED	
PART NO:		MJSE880102Kxx				DRAW NO	
File Number:							
SCALE	Free	REV	A	UNIT	mm		