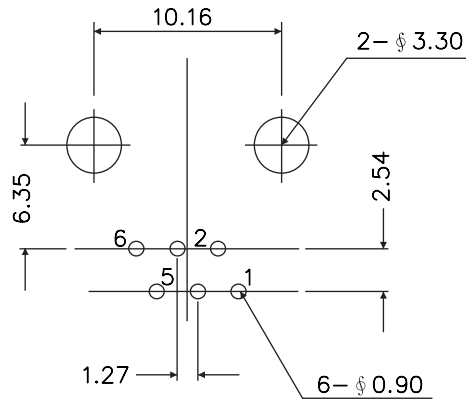
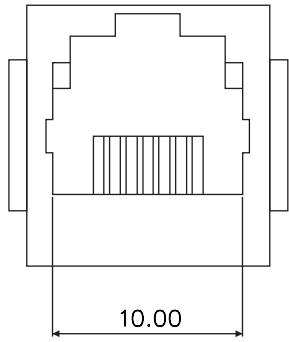


REV	DESCRIPTION	DATE
A	Initial Release	05.11.08



PCB LAYOUT/TOP VIEW

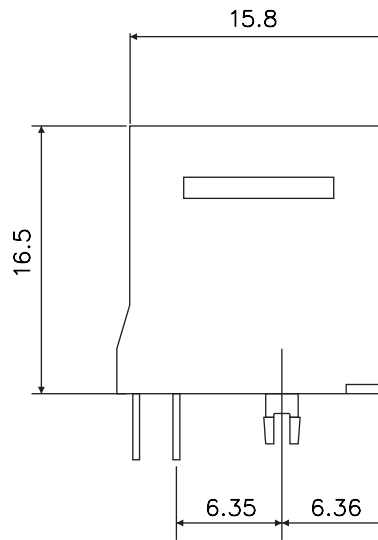
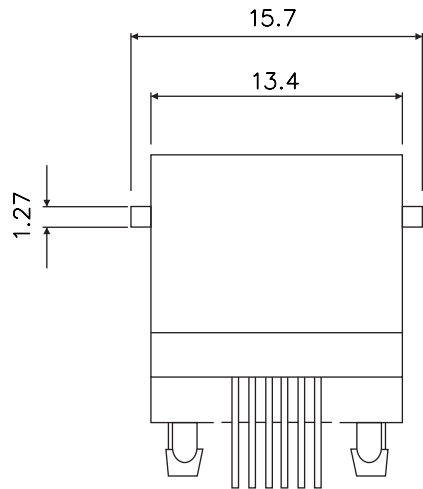
**SPECIFICATIONS**


**MATERIAL:**

1. Housing: PBT Polyester UL94V0
2. Color: Black
3. Contacts: 0.35mm Thickness Alloy Selective Gold Plating

**ELECTRICAL:**

1. Current Rating: 1.5 AMP MAX
2. Voltage Rating: 150 VAC MAX
3. Contact Resistance: 20 milliohms MAX, initial
4. Insulation Resistance: 500 Megohms MIN
5. Dielectric Withstanding Voltage: 1000 VAC, 1 min



 <b>PANSTRONG COMPANY LTD.</b>				DRAWN BY		TOMMY	
				CHECKED			
TITLE:		6P Top Entry Modular Jack				APPROVED	
PART NO:		MJ66E0102K				DRAW NO	
File Number:						UNIT	
SCALE		/	REV	A	mm	