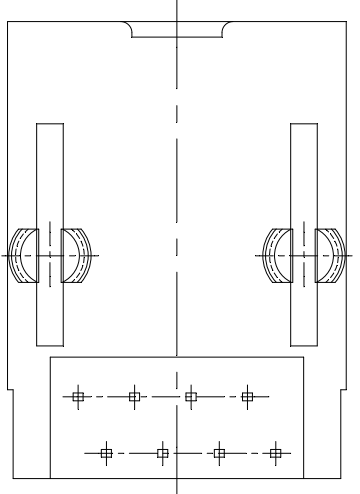
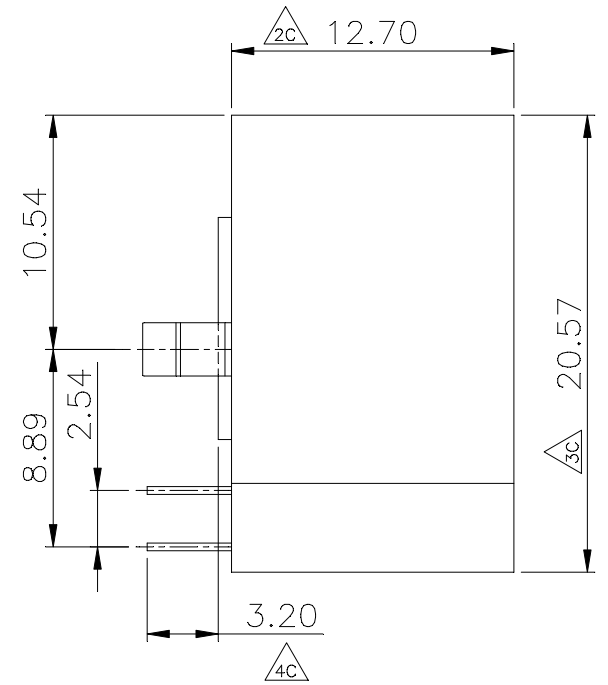
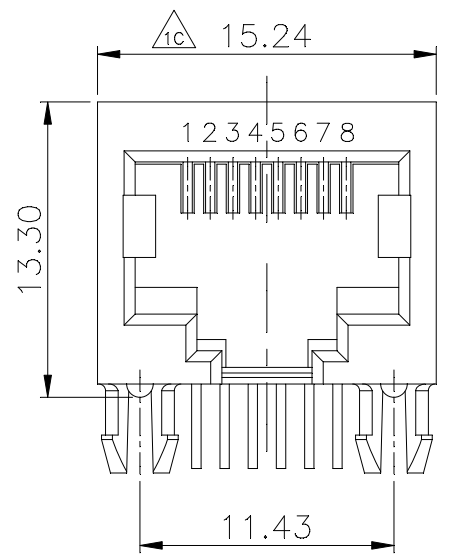


REV	DESCRIPTION	APPROVAL	DATE
A	Initial Release		04'.03.18

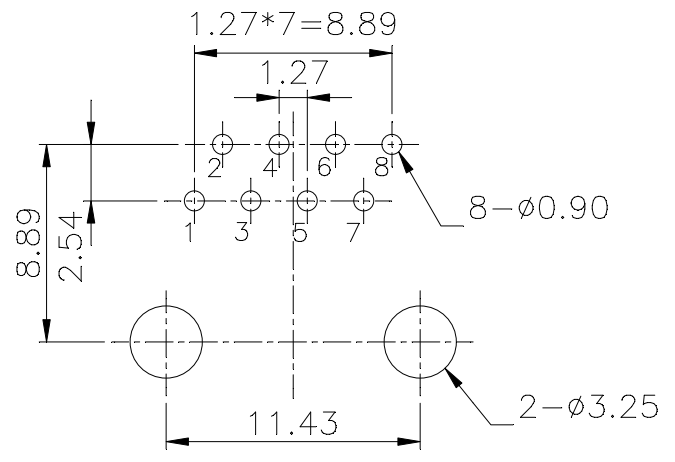


RoHS Compliant

※ △: Q.C. Dimensions

容許公差	TOLERANCE
.XXX	±0.10
.XX	±0.25
.X	±0.38
X	±0.50
ANG	±3°

PCB LAYOUT/TOP VIEW



MATERIALS:  
 PLASTIC HOUSING: ENGINEERING THERMOPLASTIC  
 FLAMMABILITY RATING UL 94V-0.  
 INSERT: ENGINEERING THERMOPLASTIC  
 FLAMMABILITY RATING UL 94V-0.(COLOR GRAY)  
 CONTACTS: PHOSPHOR BRONZE  
 PLATING: GOLD PLATING OVER NICKEL IN CONTACT.  
 TIN PLATING OVER NICKEL IN COLDER AREA.

PART NO. MJL3-C501K15

Contact Gold Plating  
 15: 15u" Gold  
 30: 30u" Gold  
 50: 50u" Gold

PANSTRONG COMPANY LTD.				DRAWN BY		TOMMY	
				CHECKED			
TITLE:		8P8C CAT.5e JACK				APPROVED	
PART NO:		MJL3-C501K				DRAW NO	
File Number:							
SCALE	3:1	REV	A	UNIT	mm		