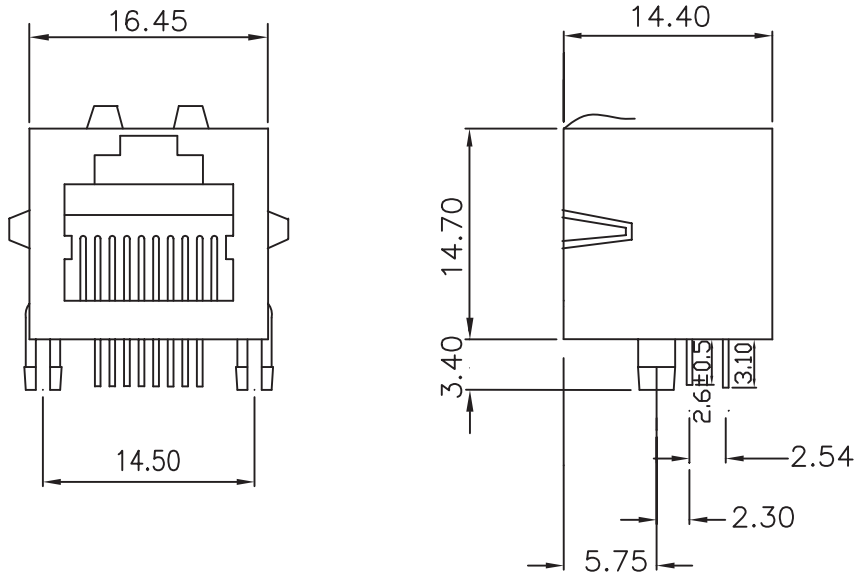


REV	DESCRIPTION	DATE
A	Initial Release	07.06.01



**SPECIFICATIONS**

**MATERIAL:**

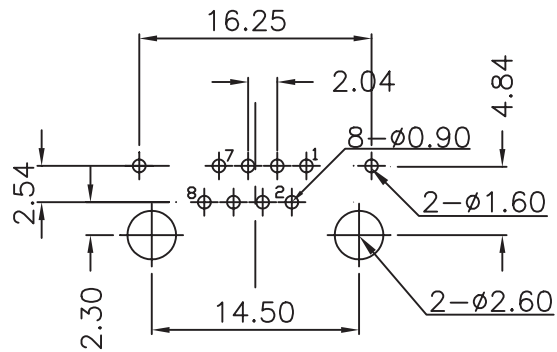
1. Housing : PBT Polyester UL94V0
2. Color : Black
3. Contacts : 0.45mm Diameter Phos-Bronze Plated With Hard Gold
4. Shield : 0.20mm Thickness Copper Alloy With Nickel Plated

**ELECTRICAL:**

1. Current Rating : 1.5 AMP MAX
2. Voltage Rating : 150 VAC MAX
3. Contact Resistance : 30 milliohms MAX, initial
4. Insulation Resistance : 500 Megohms MIN
5. Dielectric Withstanding Voltage : 1000 VAC, 1min

PART NO. MJSL4-8801K\*\*-T6

- Contact Gold Plating
- 06 : 6u" Gold
- 50 : 50u" Gold



PCB LAYOUT/TOP VIEW .X ±0.3  
.XX ±0.20

.X ±0.3  
.XX ±0.20

PANSTRONG COMPANY LTD.				DRAWN BY		TOMMY	
				CHECKED			
TITLE:		10P Side Entry Shielded Modular Jack				APPROVED	
PART NO:		MJSL4-8801K**-T6				DRAW NO	
File Number:							
SCALE	Free	REV	A	UNIT	mm		