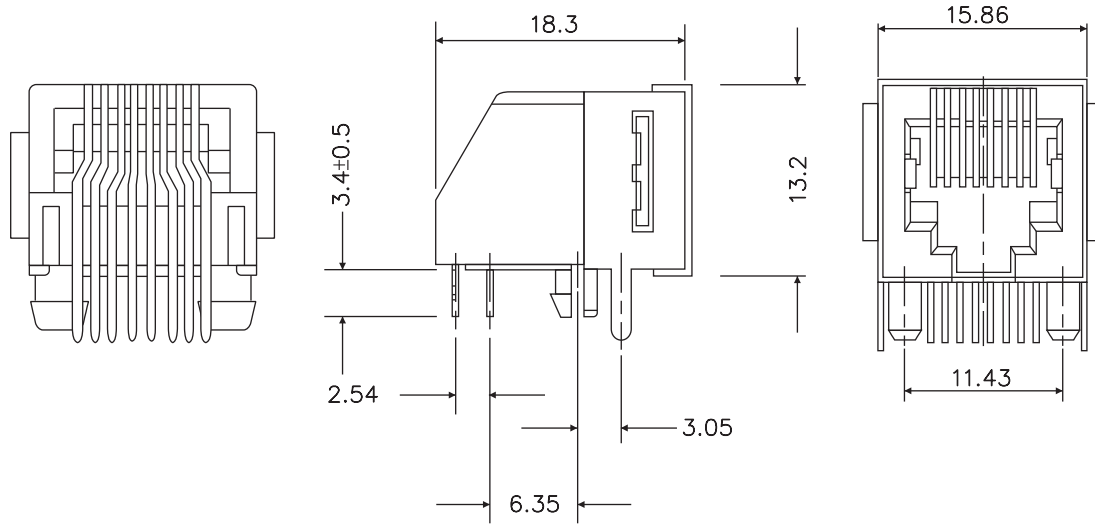


REV	DESCRIPTION	DATE
A	Initial Release	05'.11.11



ELECTRICAL:

- VOLTAGE RATING: 125 VAC RMS.
- CURRENT RATING: 1.5 AMP.
- CONTACT RESISTANCE: 35 MILLIOHMS MAX.
- INSULATION RESISTANCE: 1000 MEGOHMS MIN @ 500 VDC.
- DIELECTRIC STRENGTH: 1000 AVC RMS 60Hz, 1MIN.

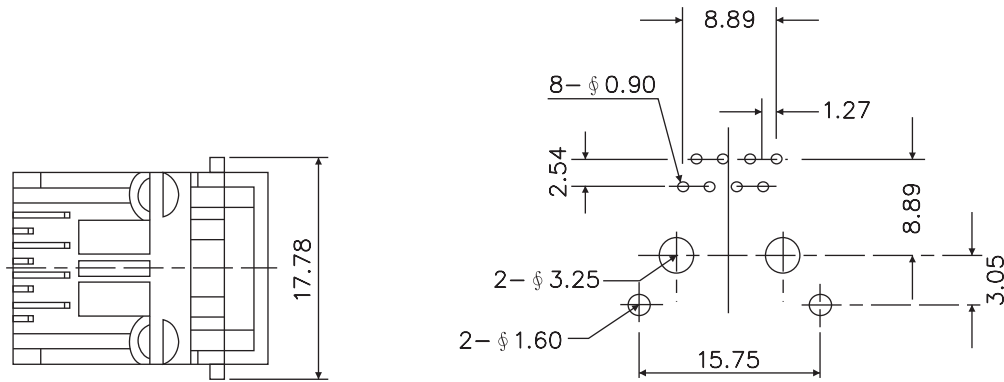
MECHANICAL:

- HOUSING MATERIAL: GLASS FILLED POLYESTER UL984V-0.
- CONTACT MATERIAL: PHOSPHOR BRONZE t=0.35mm.
- PLATING: 1: CONTACT AREA-SELECTIVE GOLD PLATING.
2: TAILS-150u" TIN-LEAD MIN OVER 50u" NICK
- OPERATING LIFE: 750 CYCLES MIN.
- PCB RETENTION PRE-SOLDER: 1 LB MIN.
- PCB RETENTION POST-SOLDER: 10 LBS MIN.

ENVIRONMENTAL:

- STORAGE: -40°C TO +85°C
- OPERATION: 0°C TO 70°C

MATES WITH MODULAR PLUG CONFORMING TO FFC PART 6B, SUBPART F.



PCB LAYOUT/TOP VIEW

PART NO.

MJFS3L3E-8801Kxx

Contact Gold Plating:

06: 6u" Selective Gold

:

50: 50u" Selective Gold

	PANSTRONG COMPANY LTD.			DRAWN BY	TOMMY
				CHECKED	
TITLE:	L/P FRONT SHIELDED PCB JACK 8P			APPROVED	
PART NO:	MJFS3L3E-8801K			DRAW NO	
File Number:				UNIT	mm
SCALE	2.5:1	REV	A		