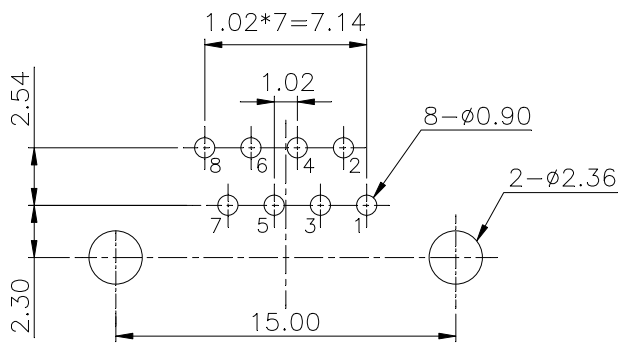
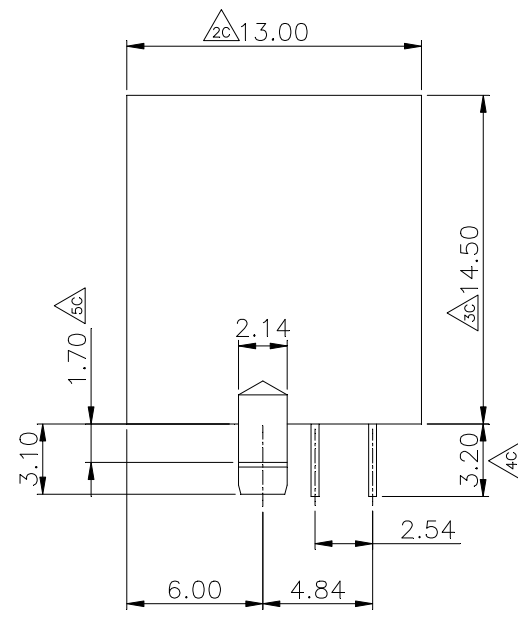
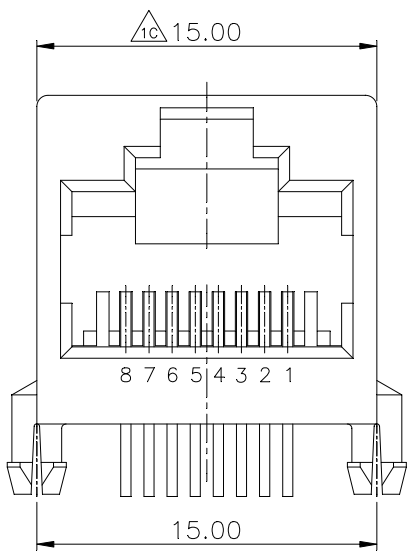
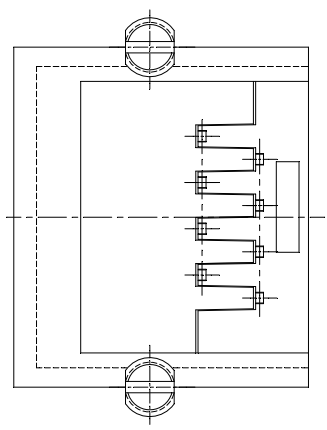


REV	DESCRIPTION	DATE
A	Initial Release	05.11.11



PCB LAYOUT/TOP VIEW



**MATERIALS:**  
 PLASTIC HOUSING: ENGINEERING THERMOPLASTIC  
 FLAMMBILITY RATING UL 94V-0.  
 COLOUR:BLACK.  
 PLASTIC INSERT: ENGINEERING THERMOPLASTIC  
 FLAMMBILITY RATING UL 94V-0.  
 PANTONE COLOUR NO. :COOL GRAY 5U(GRAY)  
 CONTACTS: PHOSPHOR BRONZE  
 PLATING: GOLD PLATING OVER NICKEL IN CONTACT,  
 TIN PLATING OVER NICKEL IN SOLDER AREA.

**PART NO.**  
 MJL4-880101Kxx  
 Contact Gold Plating:  
 06: 6u" Gold  
 15: 15u" Gold  
 30: 30u" Gold  
 50: 50u" Gold

※  $\triangle$  : Q.C. Dimensions

RoHS COMPLIANT

TOLERANCE	
.XXX	±0.10
.XX	±0.25
.X	±0.38
X	±0.50
ANG	±3°

PANSTRONG COMPANY LTD.				DRAWN BY		TOMMY				
				CHECKED						
TITLE:		SIDE ENTRY PCB JACK (8P8C)				APPROVED				
PART NO:		MJL4-880101K				DRAWING NO. 3008715600				
SCALE		/		REV	A		UNIT	mm		