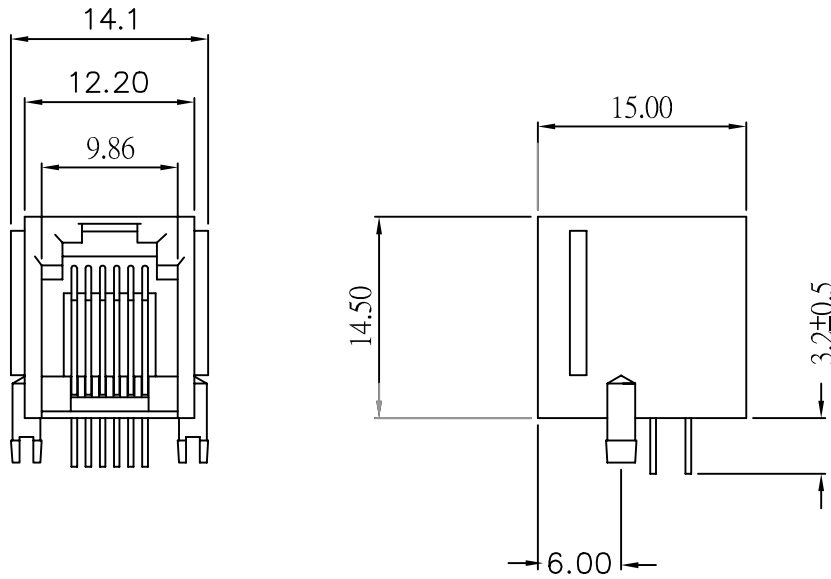


REV.	ECN NO	LOCATIONS	DESCRIPTION	DATE	REVISED	APPD
A			Initial Release	06.03.06		



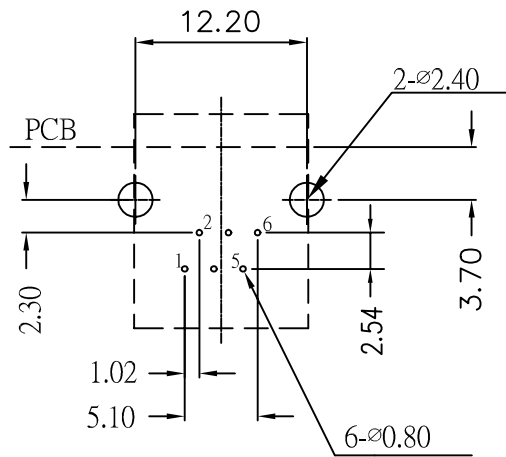
SPECIFICATIONS

MATERIAL:


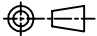
1. Housing : PBT Polyester UL94V0
2. Color : Black
3. Contacts : 0.45mm Diameter Phos-Bronze Plated With Hard Gold

ELECTRICAL:

1. Current Rating : 1.5 AMP MAX
2. Voltage Rating : 150 VAC MAX
3. Contact Resistance : 20 milliohms MAX, initial
4. Insulation Resistance : 500 Megohms MIN
5. Dielectric Withstanding Voltage : 1000 VAC, 1min



PCB LAYOUT/TOP VIEW

DWG NO: 623LP-66x1-10011		MATERIAL:			PANSTRONG COMPANY LTD.	
MODEL NO:		FINSH:			PART NAME: 6P Low Profile Modular Jack	
UNIT: mm	SIZE:	COLOR:		PART NO: MJL4E-660101KXX		REV:
TOLERANCE	UNSPECIFIED	DR: TOMMY		SCALE: 2:1		SHEET: 1 of 1
.x	±0.3	CHK:		APP:		
.xx	±0.20					
.xxx	±0.100					
ANG.	±1°					