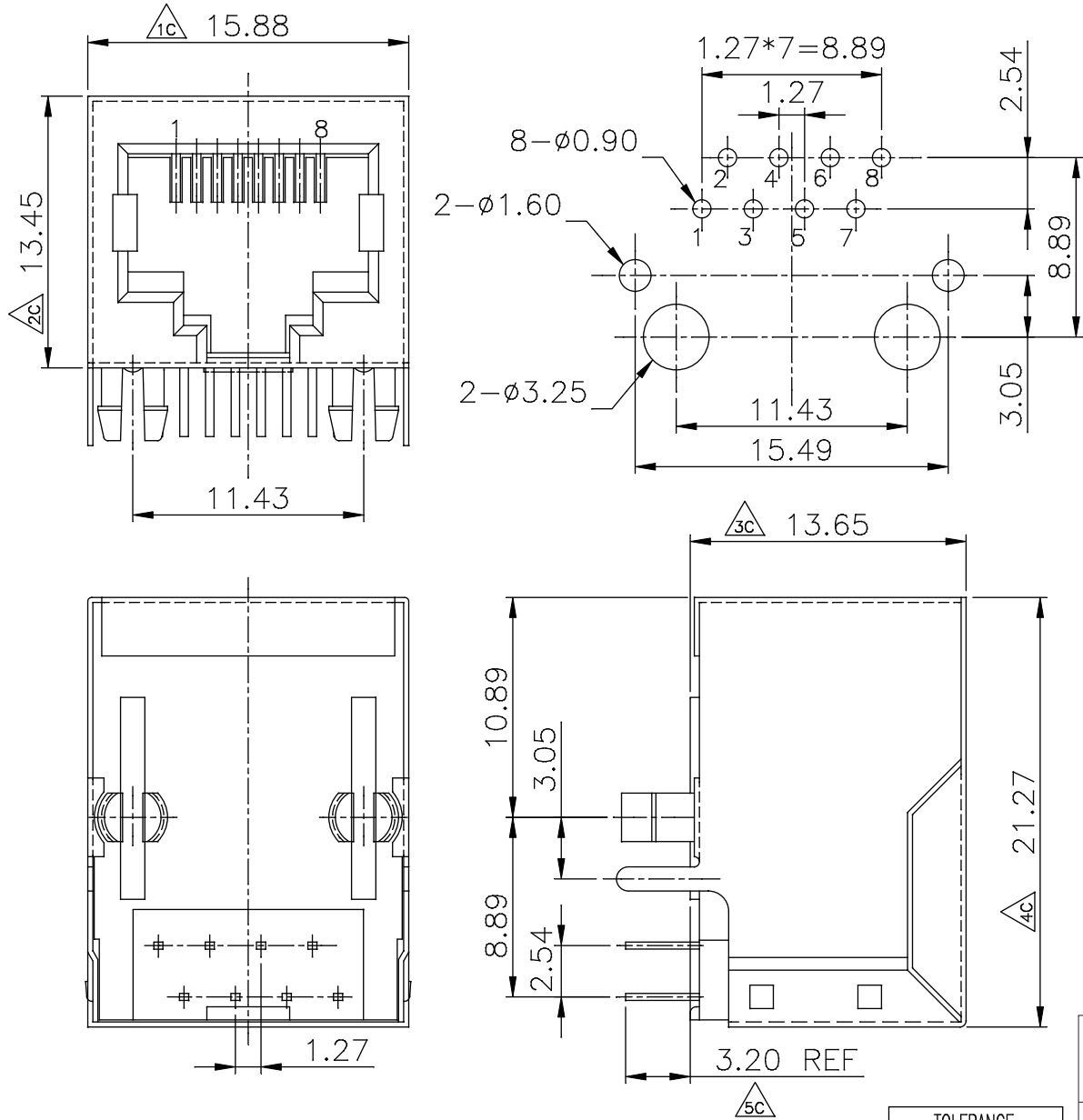


REV	DESCRIPTION	DATE
A	Initial Release	03'.09.30
E	Dimension Change 4C	09'.05.26

PCB LAYOUT/TOP VIEW



MATERIALS:
 PLASTIC HOUSING: ENGINEERING THERMOPLASTIC
 FLAMMABILITY RATING UL 94V-0.
 CONTACTS: PHOSPHOR BRONZE
 PLATING: GOLD PLATING OVER NICKEL IN CONTACT.
 TIN PLATING OVER NICKEL IN SOLDER AREA.
 SHIELDED: BRASS WITH INCKEL PLATED

PART NO. MJSL3-8801Kxx

Contact Gold Plating:
 06:6u" Selective Gold
 :
 50:50u" Selective Gold

※△:Q.C. Dimensions

RoHS COMPLIANT

TOLERANCE	
.XXX	±0.10
.XX	±0.25
.X	±0.38
X	±0.50
ANG	±3'

	PANSTRONG COMPANY LTD.			DRAWN BY	TOMMY
				CHECKED	
TITLE:	SIDE ENTRY PCB JACK(8P8C)			APPROVED	
PART NO:	MJSL3-8801K			DRAW NO	
File Number:				UNIT	mm
SCALE	3:1	REV	E		