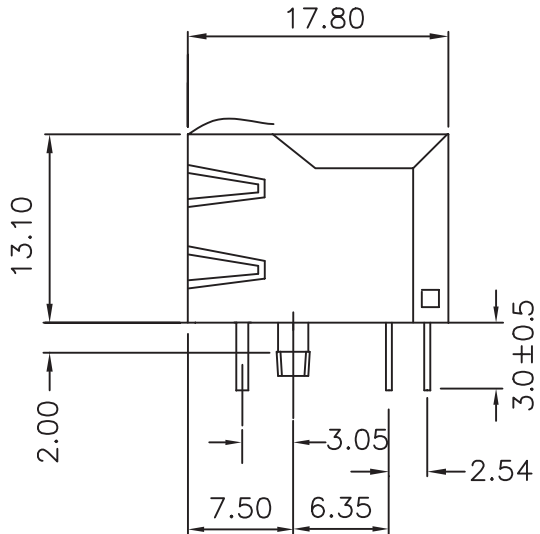
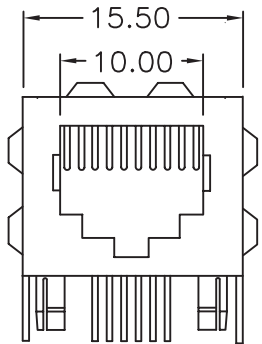


REV	DESCRIPTION	DATE
A	Initial Release	07.06.01



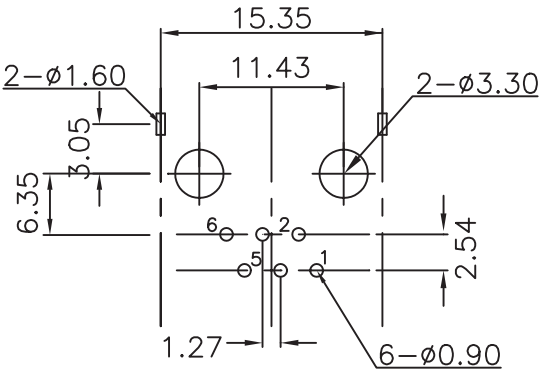
SPECIFICATIONS

MATERIAL:

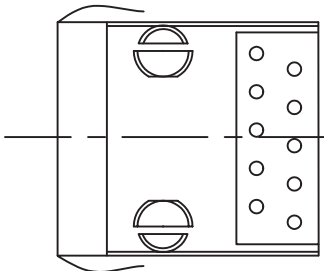
1. Housing : PBT Polyester UL94V0
2. Color : Black
3. Contacts : 0.45mm Diameter Phos-Bronze Plated With Hard Gold
4. Shield : 0.20mm Thickness Copper Alloy With Nickel Plated

ELECTRICAL:

1. Current Rating : 1.5 AMP MAX
2. Voltage Rating : 150 VAC MAX
3. Contact Resistance : 30 milliohms MAX, initial
4. Insulation Resistance : 500 Megohms MIN
5. Dielectric Withstanding Voltage : 1000 VAC, 1min



PCB LAYOUT/TOP VIEW



PART NO. MJSL3-6601KXX-T5

Contact Gold Plating
06: 6u" Gold
:
50: 50u" Gold

TOLERANCE	
.X	±0.3
.XX	±0.20

PANSTRONG COMPANY LTD.				DRAWN BY		TOMMY	
				CHECKED			
TITLE:				6P Side Entry Shielded Modular Jack			
PART NO:				MJSL3-6601K**-T5			
File Number:							
SCALE		Free	REV	A	UNIT		mm
				APPROVED		DRAW NO	