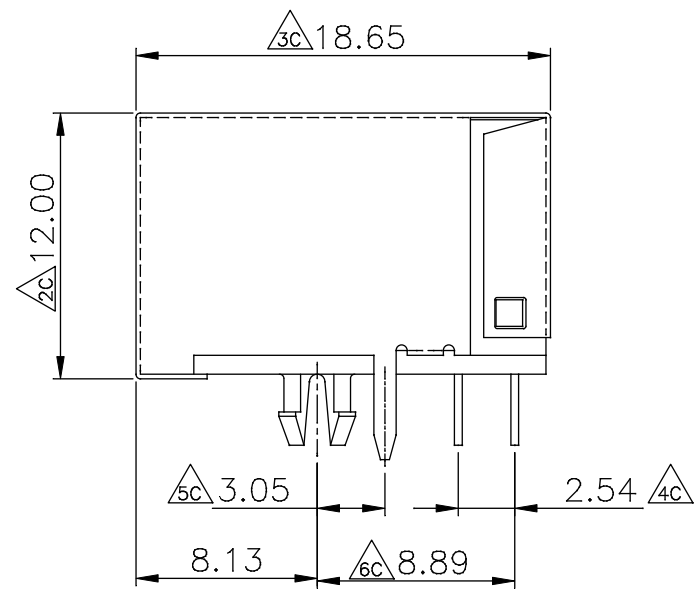
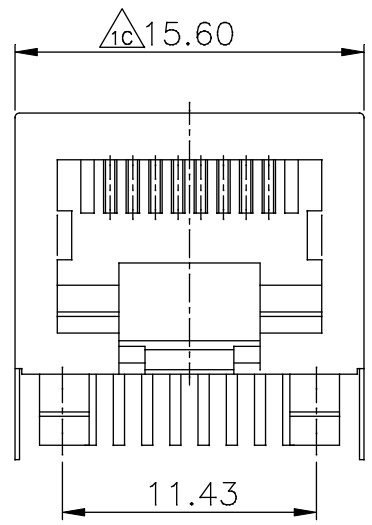
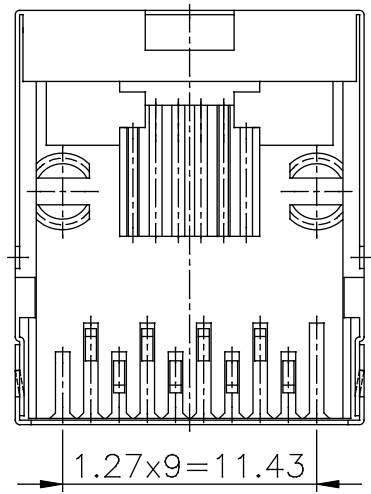
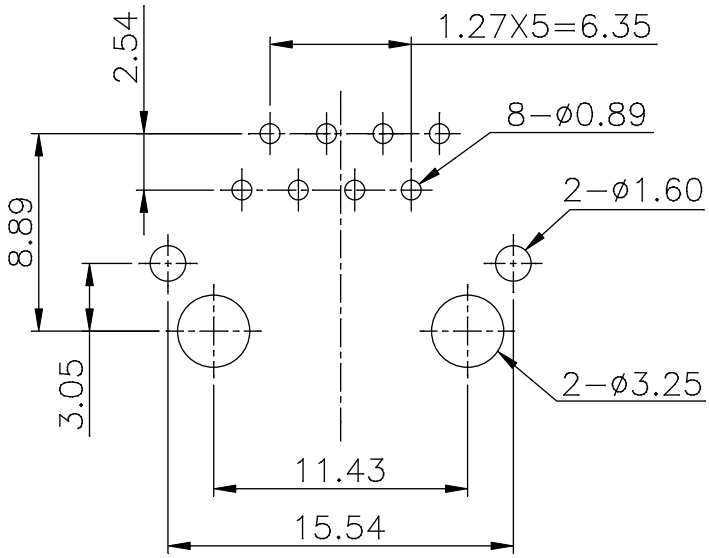


REV	DESCRIPTION	DATE
A	Initial Release	02.12.24



MATERIALS:
 PLASTIC HOUSING: ENGINEERING THERMOPLASTIC
 FLAMMABILITY RATING UL 94V-0.
 CONTACTS: PHOSPHOR BRONZE
 PLATING: GOLD PLATING OVER NICKEL IN CONTACT.
 TIN PLATING OVER NICKEL IN SOLDER AREA.
 SHIELD: BRASS PLATING NICKEL ALLOY.



PART NO. MJSL2-8801K xx -BB

Contact Gold Plating
 06: 6u" Selective Gold
 :
 50: 50u" Selective Gold

Shield Pin to Board Lock Distance
 B: 3.05

※△: Q.C. Dimensions

PCB LAYOUT/TOP VIEW

TOLERANCE	
.XXX	±0.10
.XX	±0.25
.X	±0.38
X	±0.50
ANG	±3°

	PANSTRONG COMPANY LTD.			DRAWN BY	TOMMY
				CHECKED	
TITLE:		RJ45 8P8C SHIELDED JACK		APPROVED	
PART NO:		MJSL2-8801Kxx-BB		DRAW NO	
File Number:				UNIT	mm
SCALE	3:1	REV	A		