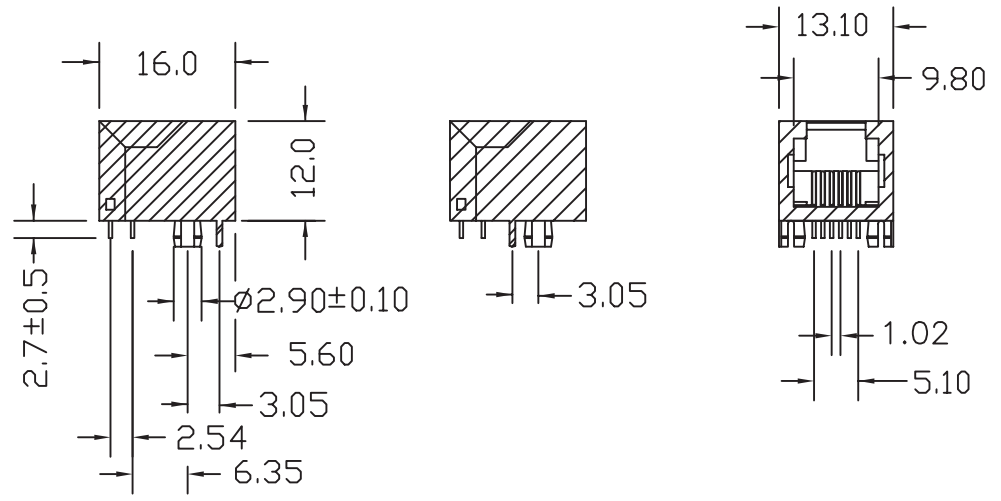


REV	DESCRIPTION	DATE
A	Initial Release	03'.07.28



SPECIFICATIONS

MATERIAL:

1. Housing : PBT Polyester UL94V0
2. Color : Black
3. Contacts : 0.45mm Diameter Phos-Bronze Plated With Hard Gold
4. Shield : 0.20mm Thickness Copper Alloy With Nickel Plated

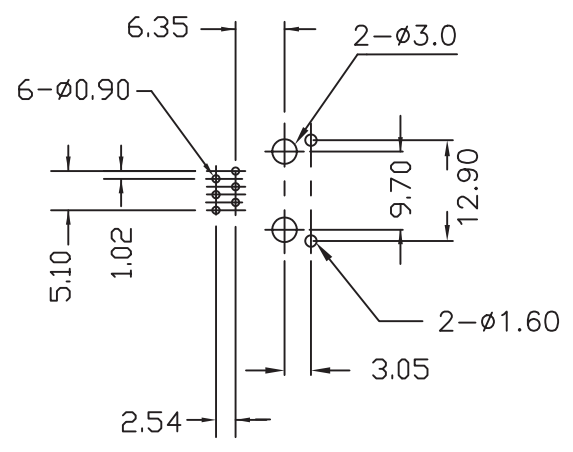
ELECTRICAL:

1. Current Rating : 1.5 AMP MAX
2. Voltage Rating : 150 VAC MAX
3. Contact Resistance : 30 milliohms MAX, initial
4. Insulation Resistance : 500 Megohms MIN
5. Dielectric Withstanding Voltage : 1000 VAC, 1min

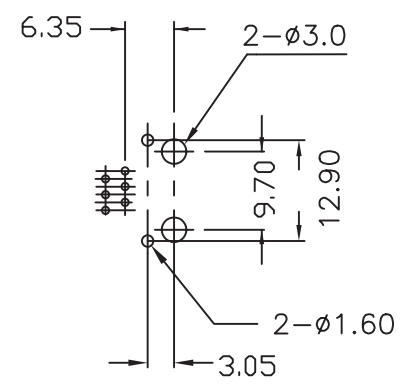
PART NO.

MJSL2-6601K06X

- Contact Pin Gold Plating
- 06: 6u" Gold
 - 15: 15u" Gold
 - 30: 30u" Gold
 - 50: 50u" Gold
- Metal Shield Pin Position
- A: behind the plastic board locks
 - B: front the plastic board locks



PCB LAYOUT/TOP VIEW
MJSL2-6601K06B



PCB LAYOUT/TOP VIEW
MJSL2-6601K06A

TOLERANCE	
.X	±0.3
.XX	±0.20

PANSTRONG COMPANY LTD.				DRAWN BY		TOMMY	
				CHECKED			
TITLE:		RJ11 6P Very L/P Shielded Modular Jack				APPROVED	
PART NO:		MJSL2-660101K				DRAW NO	
File Number:							
SCALE	/	REV	A	UNIT	mm		